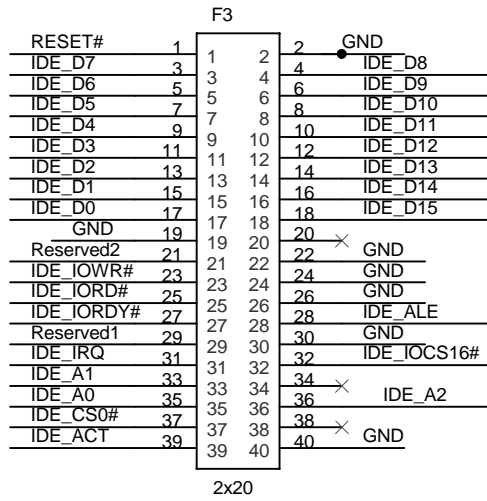


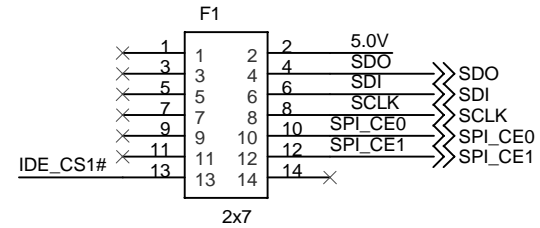
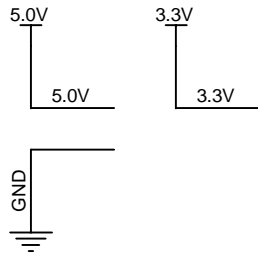
Note: The pin numbering on these connectors is done on a logical basis looking down at the topside of the daughter board.

Connectors: The connectors on this page are numbered in the same orientation as the Nios board connectors

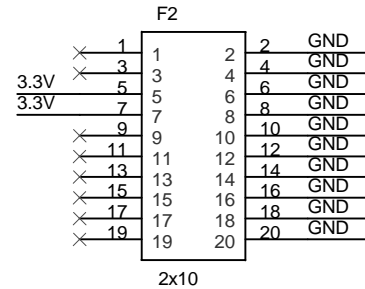


Note: This connector plugs into JP11

Note: The 5.0V and 3.3V sources come from headers U8 and U9.

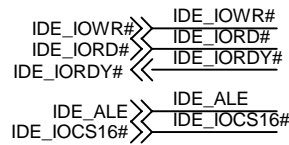
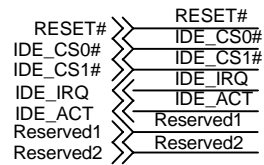
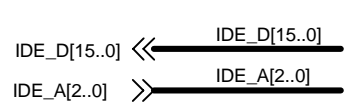


Note: This connector plugs into JP12



Note: This connector plugs into JP13

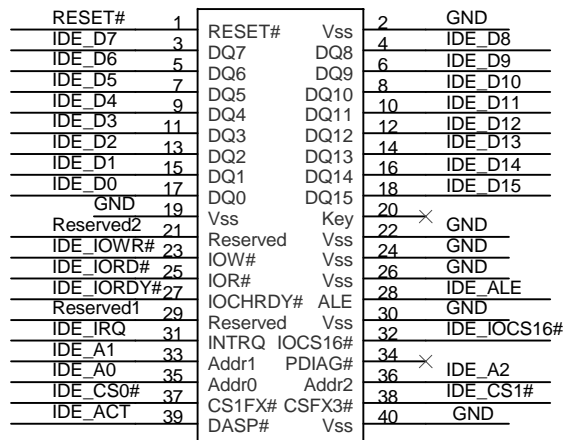
|                  |                       |              |
|------------------|-----------------------|--------------|
| Title            |                       |              |
| OS Support Board |                       |              |
| Size             | Document Number       | Rev          |
| A                | 1.0                   | 2            |
| Date:            | Friday, July 06, 2001 | Sheet 1 of 3 |



Note: ~CSEL pulled low on board indicating Master IDE device.

Note: ~ATA\_SEL pulled low to indicate IDE true mode operation.

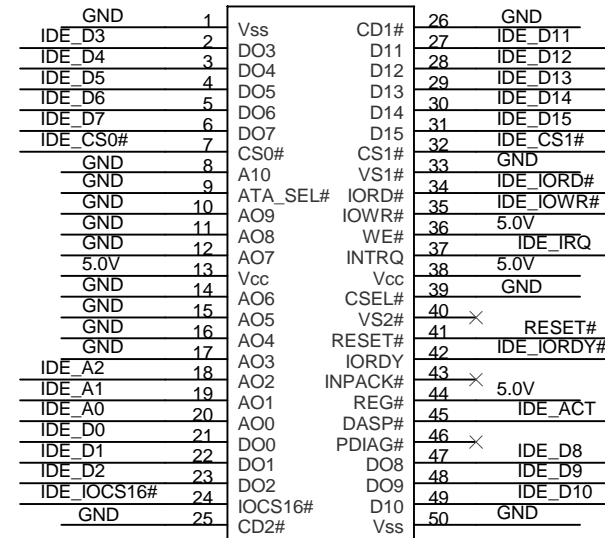
M1



IDE\_HEADER

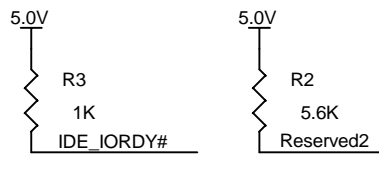
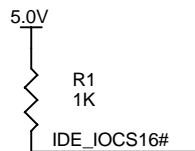
Note: This is the IDE header.

U7

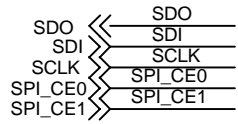


CF\_HEADER

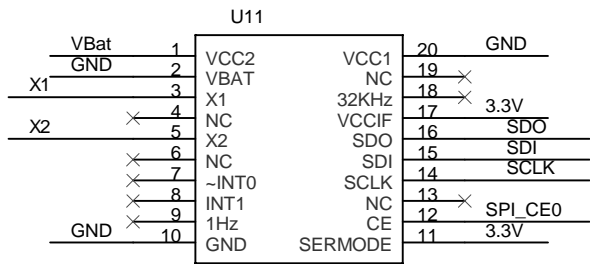
Note: CF card is using True IDE Mode, all other CF card modes have been disabled by the pinout of this component.



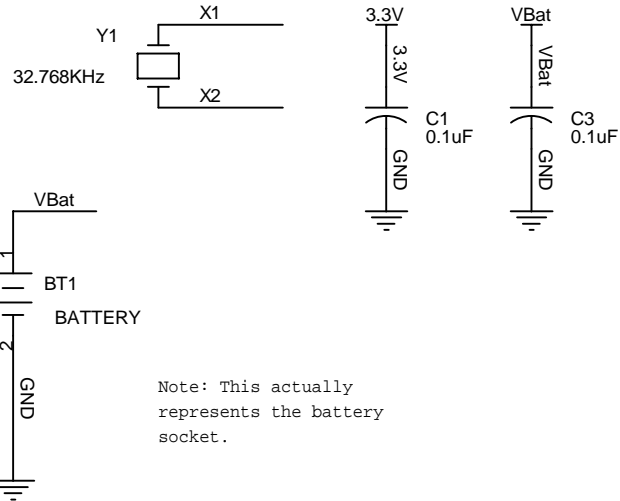
|                  |                       |              |
|------------------|-----------------------|--------------|
| Title            |                       |              |
| OS Support Board |                       |              |
| Size             | Document Number       | Rev          |
| A                | 1.0                   | 2            |
| Date:            | Friday, July 06, 2001 | Sheet 2 of 3 |



Real Time Clock Circuit

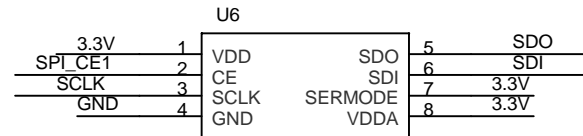


DS1306

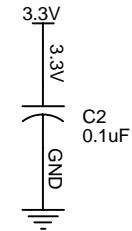


Note: This actually represents the battery socket.

Temperature Circuit



DS1722



|                  |                       |              |
|------------------|-----------------------|--------------|
| Title            |                       |              |
| OS Support Board |                       |              |
| Size             | Document Number       | Rev          |
| A                | 1.0                   | 2            |
| Date:            | Friday, July 06, 2001 | Sheet 3 of 3 |