



The Verilog Hardware Description Language

Professor Don Thomas

Carnegie Mellon University (CMU)

thomas@ece.cmu.edu

<http://www.ece.cmu.edu/~thomas>

- This is not one cohesive presentation on Verilog. The slides contained here are collected from *different* CMU classes at *various* academic levels.
- These slides are provided as an alternate aid to learning the language. You may find them helpful.
- Send bug reports to the above address — there are some!
- The Verilog Hardware Description Language, Fourth Edition is available from Kluwer Academic Publishers, <http://www.wkap.com>. Phone: 781-871-6600.
- University faculty wanting access to a PowerPoint version of the slides should contact the author at the above address.

Simulation of Digital Systems

■ Simulation —

- What do you do to test a software program you write?
 - Give it some inputs, and see if it does what you expect
 - When done testing, is there any assurance the program is bug free? — NO!
 - But, to the extent possible, you have determined that the program does what you want it to do

- Simulation tests a model of the system you wish to build
 - **Is the design correct?** Does it implement the intended function correctly? For instance, is it a UART
 - Stick in a byte and see if the UART model shifts it out correctly
 - **Also, is it the correct design?**
 - Might there be some other functions the UART could do?

Simulation of Digital Systems

■ Simulation checks two properties

- **functional correctness** — is the logic correct
 - correct design, and design correct
- **timing correctness** — is the logic/interconnect timing correct
 - e.g. are the set-up times met?

■ It has all the limitations of software testing

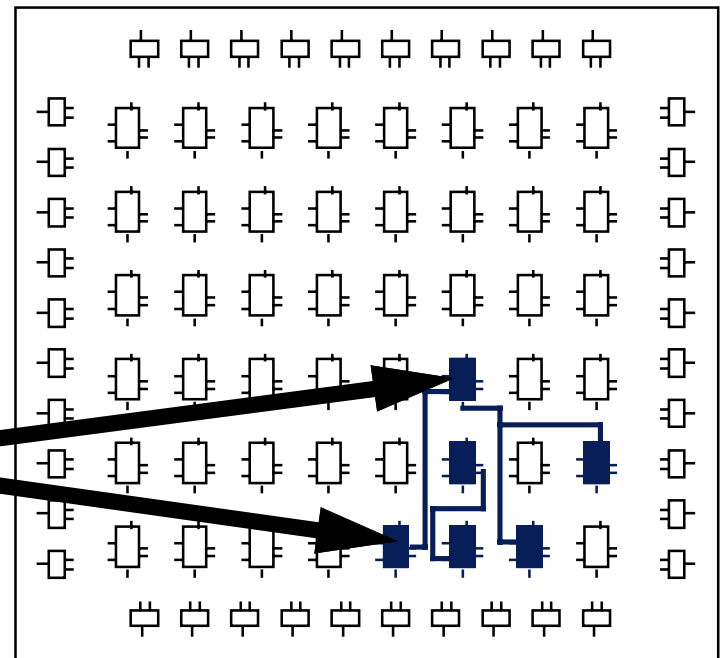
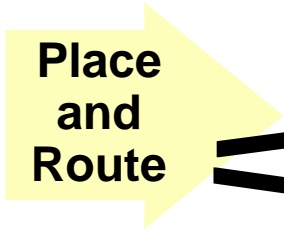
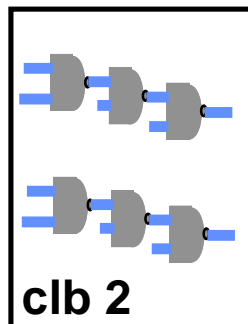
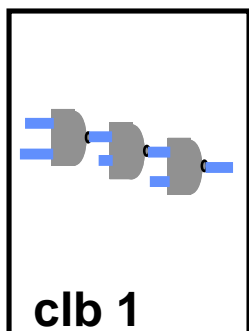
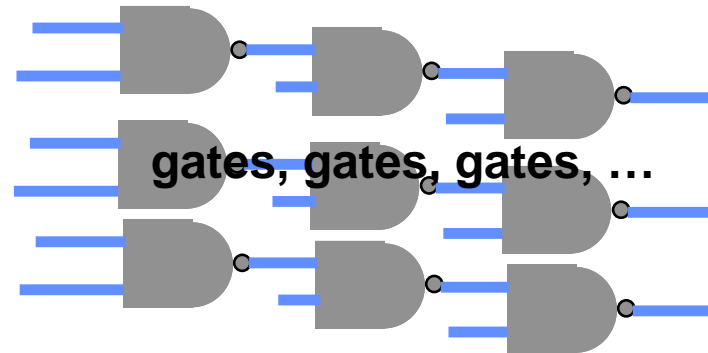
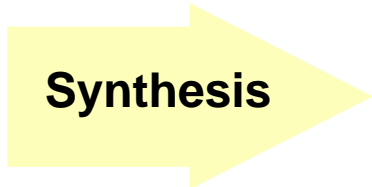
- Have I tried all the cases?
- Have I exercised every path? Every option?

Modern Design Methodology

Simulation and Synthesis are components of a design methodology

always
mumble
mumble
blah
blah

Synthesizable Verilog



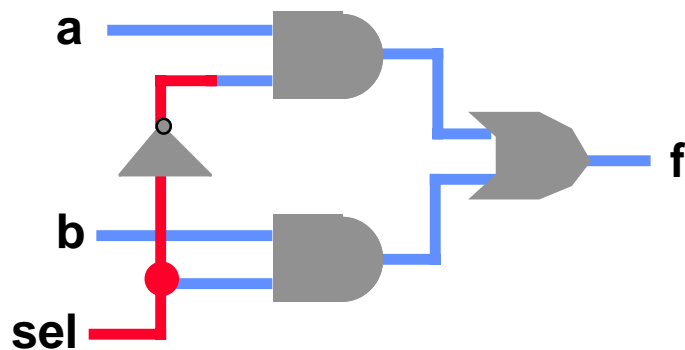
Representation: Structural Models

■ Structural models

- Are built from gate primitives and/or other modules
- They describe the circuit using logic gates — much as you would see in an implementation of a circuit.
 - You could describe your lab1 circuit this way

■ Identify:

- Gate instances, wire names, delay from *a* or *b* to *f*.



```
module mux (f, a, b, sel);
    output f;
    input a, b, sel;

    and #5 g1 (f1, a, nsel),
           g2 (f2, b, sel);
    or #5 g3 (f, f1, f2);
    not g4 (n_sel, sel);
endmodule
```

Representation: Gate-Level Models

■ Need to model the gate's:

- Function
- Delay

■ Function

- Generally, HDLs have built-in gate-level primitives
 - Verilog has NAND, NOR, AND, OR, XOR, XNOR, BUF, NOT, and some others
- The gates operate on input values producing an output value
 - typical Verilog gate instantiation is:

optional

“many”

and #delay instance-name (out, in1, in2, in3, ...);

Four-Valued Logic

■ Verilog Logic Values

- The underlying data representation allows for any bit to have one of four values
- 1, 0, x (unknown), z (high impedance)
- x — one of: 1, 0, z, or in the state of change
- z — the high impedance output of a tri-state gate.

■ What basis do these have in reality?

- 0, 1 ... no question
- z ... A *tri-state* gate drives either a zero or one on its output. If it's not doing that, its output is high impedance (z). Tri-state gates are real devices and z is a real electrical affect.
- x ... not a real value. There is no *real* gate that drives an x on to a wire. x is used as a debugging aid. x means the simulator can't determine the answer and so maybe you should worry!

■ BTW ...

- some simulators keep track of more values than these. Verilog will in some situations.

Four-Valued Logic

Logic with multi-level logic values

- Logic with these four values make sense
 - Nand anything with a 0, and you get a 1. This includes having an x or z on the other input. That's the nature of the nand gate
 - Nand two x's and you get an x
- Note: z treated as an x on input. Their rows and columns are the same
- If you forget to connect an input ... it will be seen as an z.
- At the start of simulation, *everything* is an x.

		Input B				
		Nand	0	1	x	z
Input A	0	1	1	1	1	
	1	1	0	x	x	
	x	1	x	x	x	
	z	1	x	x	x	

A 4-valued truth table for a Nand gate with two inputs

How to build and test a module

■ Construct a “test bench” for your design

- Develop your hierarchical system within a module that has input and output ports (called “**design**” here)
- Develop a separate module to generate tests for the module (“**test**”)
- Connect these together within another module (“**testbench**”)

```
module testbench ();  
    wire    l, m, n;  
  
    design  d (l, m, n);  
    test    t (l, m);  
  
    initial begin  
        //monitor and display  
        ...  
    end
```

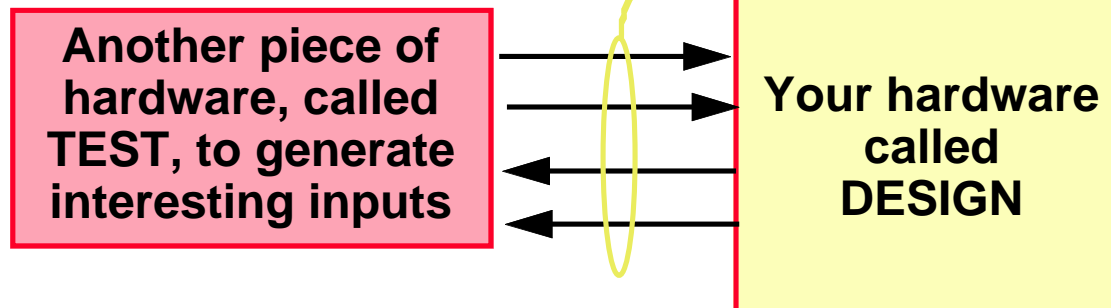
```
module design (a, b, c);  
    input  a, b;  
    output c;  
    ...  
end
```

```
module test (q, r);  
    output q, r;  
  
    initial begin  
        //drive the outputs with signals  
        ...  
    end
```

Another view of this

- 3 chunks of verilog, one for each of:

TESTBENCH is the final piece of hardware which connect **DESIGN** with **TEST** so the inputs generated go to the thing you want to test...



A Previous Design

Module testAdd generated inputs for module halfAdd and displayed changes. Module halfAdd was the *design*

```
module tBench;
  wire    su, co, a, b;

  halfAdd    ad(su, co, a, b);
  testAdd    tb(a, b, su, co);
endmodule
```

```
module halfAdd (sum, cOut, a, b);
  output    sum, cOut;
  input     a, b;

  xor #2    (sum, a, b);
  and #2    (cOut, a, b);
endmodule
```

```
module testAdd(a, b, sum, cOut);
  input    sum, cOut;
  output   a, b;
  reg     a, b;

  initial begin
    $monitor ($time,,
      "a=%b, b=%b, sum=%b, cOut=%b",
      a, b, sum, cOut);
    a = 0; b = 0;
    #10 b = 1;
    #10 a = 1;
    #10 b = 0;
    #10 $finish;
  end
endmodule
```

The test module

■ It's the test generator

■ \$monitor

- prints its string when executed.
- after that, the string is printed when one of the listed values changes.
- only one monitor can be active at any time
- prints at end of current simulation time

■ Function of this tester

- at time zero, print values and set a=b=0
- after 10 time units, set b=1
- after another 10, set a=1
- after another 10 set b=0
- then another 10 and finish

```
module testAdd(a, b, sum, cOut);
  input  sum, cOut;
  output a, b;
  reg    a, b;

  initial begin
    $monitor ($time,,
              "a=%b, b=%b, sum=%b, cOut=%b",
              a, b, sum, cOut);
    a = 0; b = 0;
    #10 b = 1;
    #10 a = 1;
    #10 b = 0;
    #10 $finish;
  end
endmodule
```

Other things you can do

More than modeling hardware

- `$monitor` — give it a list of variables. When one of them changes, it prints the information. Can only have one of these active at a time.

e.g. ...

- `$monitor ($time,,, "a=%b, b=%b, sum=%b, cOut=%b",a, b, sum, cOut);`

extra commas
print a spaces

`%b` is binary (also,
`%h`, `%d` and others)

What if what
you print has
the value x or z?

- The above will print:
2 a=0, b=0, sum=0, cOut=0<return>

newline
automatically
included

- `$display()` — sort of like `printf()`

- `$display ("Hello, world — %h", hexvalue)`

display contents of data item called
"hexvalue" using hex digits (0-9,A-F)

Structural vs Behavioral Models

■ Structural model

- Just specifies primitive gates and wires
- i.e., the structure of a logical netlist
- You basically know how to do this now.

■ Behavioral model

- More like a procedure in a programming language
- Still specify a module in Verilog with inputs and outputs...
- ...but inside the module you write code to tell what you want to have happen, NOT what gates to connect to make it happen
- i.e., you specify the behavior you want, not the structure to do it

■ Why use behavioral models

- For testbench modules to test structural designs
- For high-level specs to drive logic synthesis tools (Lab 2)

How do behavioral models fit in?

How do they work with the event list and scheduler?

- Initial (and always) begin executing at time 0 in arbitrary order
- They execute until they come to a “#delay” operator
- They then suspend, putting themselves in the event list 10 time units in the future (for the case at the right)
- At 10 time units in the future, they resume executing where they left off.

Some details omitted

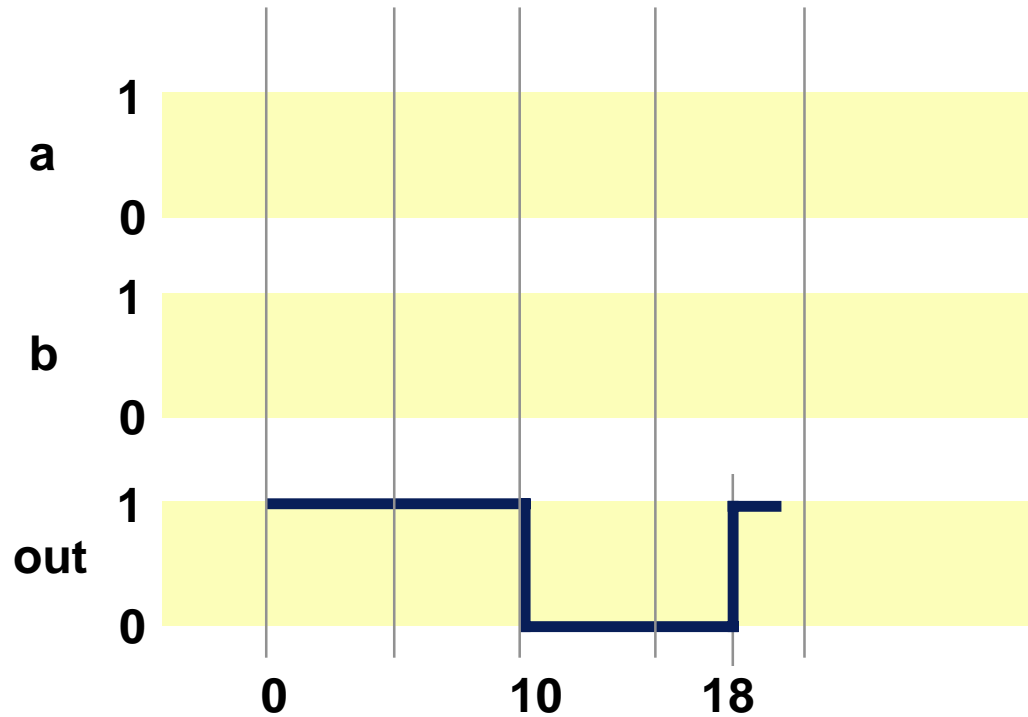
- ...more to come

```
module testAdd(a, b, sum, cOut);
    input  sum, cOut;
    output a, b;
    reg    a, b;

    initial begin
        $monitor ($time,,
            "a=%b, b=%b,
            sum=%b, cOut=%b",
            a, b, sum, cOut);
        a = 0; b = 0;
        #10 b = 1;
        #10 a = 1;
        #10 b = 0;
        #10 $finish;
    end
endmodule
```

Two initial statements?

```
...  
initial begin  
    a = 0; b = 0;  
    #5 b = 1;  
    #13 a = 1;  
end  
...  
initial begin  
    out = 1;  
    #10 out = 0;  
    #8 out = 1;  
end  
...
```



Things to note

- Which initial statement starts first?
- What are the values of a, b, and out when the simulation starts?
- These appear to be executing concurrently (at the same time). Are they?

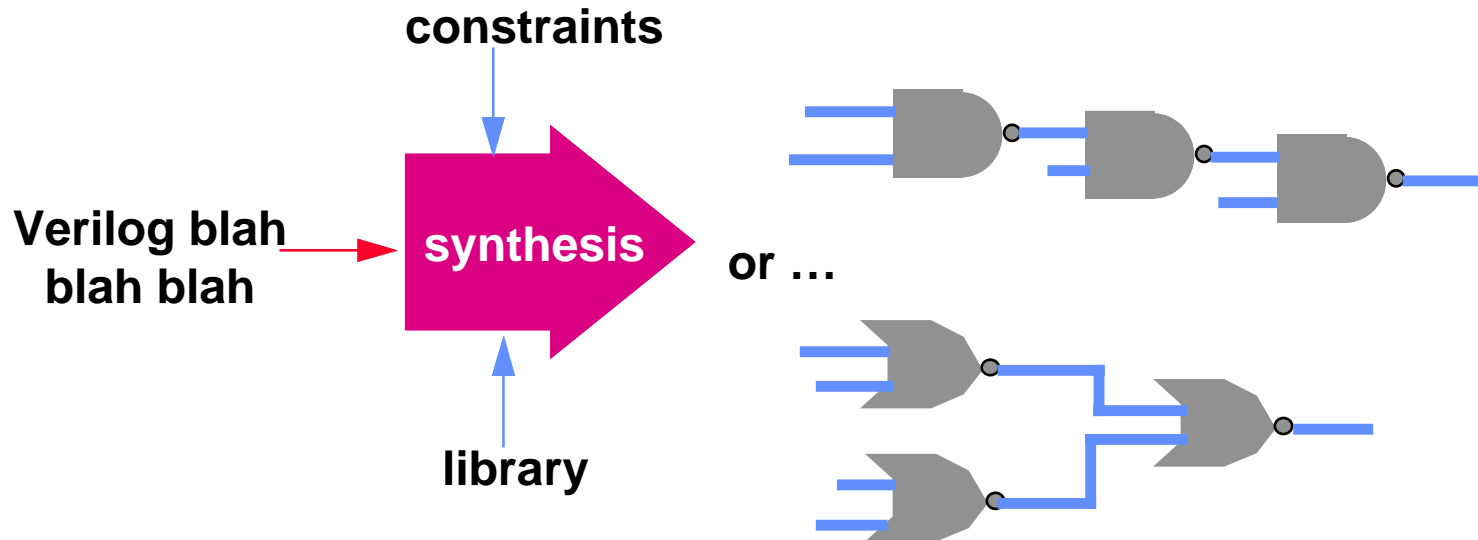
What do we mean by “Synthesis”?

Logic synthesis

- A program that “designs” logic from abstract descriptions of the logic
 - takes constraints (e.g. size, speed)
 - uses a library (e.g. 3-input gates)

How?

- You write an “abstract” Verilog description of the logic
- The synthesis tool provides alternative implementations



An example

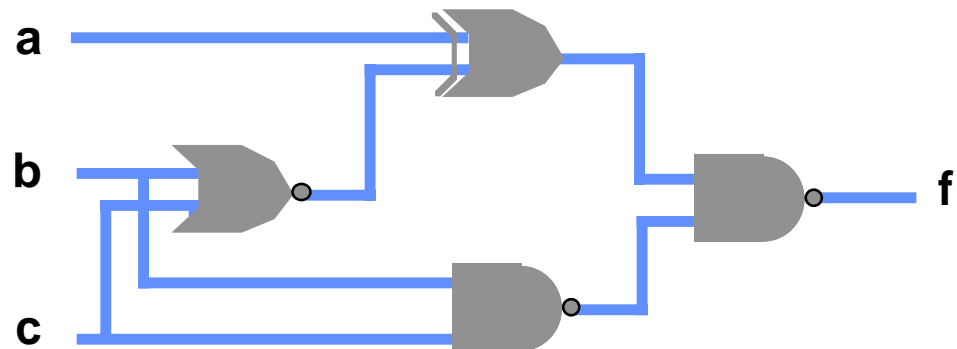
■ What's cool?

- You type the left, synthesis gives you the gates
- It used a different library than you did. (2-input gates only)
- One description suffices for a variety of alternate implementations!

■ Hmm ...

- ... but this assumes you know a gate level implementation — that's not an “abstract” Verilog description.

```
module gate (f, a, b, c);  
  output f;  
  input a, b, c;  
  
  and A (a1, a, b, c),  
       B (a2, a, ~b, ~c),  
       C (a3, ~a, o1);  
  or D (o1, b, c),  
     E (f, a1, a2, a3);  
endmodule
```



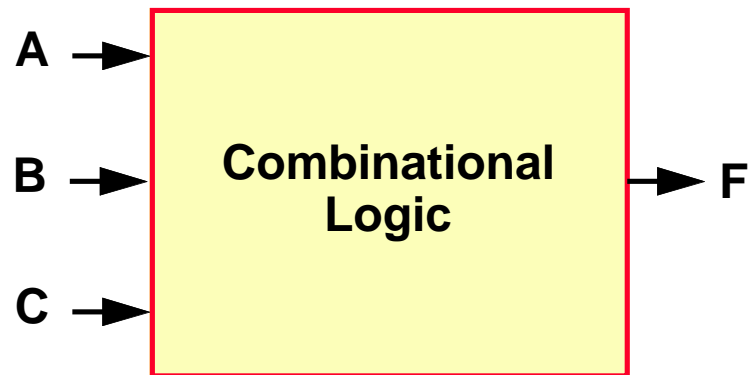
What Do We Want Here...?

■ Goal

- To specify a combination ckt, inputs->outputs...
- ... in a form of Verilog that synthesis tools will correctly read
- ... and then use to make the right logic

■ And...

- We know the function we want, and can specify in C-like form...
- ... but we don't know the exact gates; we want the tool to do this.



Behavioral Modeling

■ **Procedural statements are used**

- Statements using “always” Verilog construct
- Can specify both combinational and sequential circuits

■ **Normally don't think of procedural stuff as “logic”**

- They look like C: mix of ifs, case statements, assignments ...
- ... but there is a semantic interpretation to put on them to allow them to be used for simulation and synthesis (giving equivalent results)

■ **Current technology**

- You can do combinational (and later, sequential) design
- Sizable designs can take hours ... days ... to run
- Companies pay \$50K - 80K per copy for such software
 - This ain't shrink-wrap software!
- The software we'll use is more like \$10-15K

Behavioral Constructs

■ Behavioral descriptions are introduced by initial and always statements

Statement	Looks like	Starts	How it works	Use in Synthesis?
initial	initial begin ... end	Starts when simulation starts	Execute once and stop	Not used in synthesis
always	always begin ... end		Continually loop— while (power on) do statements;	Used in synthesis

■ Points:

- They all execute concurrently
- They contain behavioral statements like if-then-else, case, loops, functions, ...

Statements, Registers and Wires

Registers

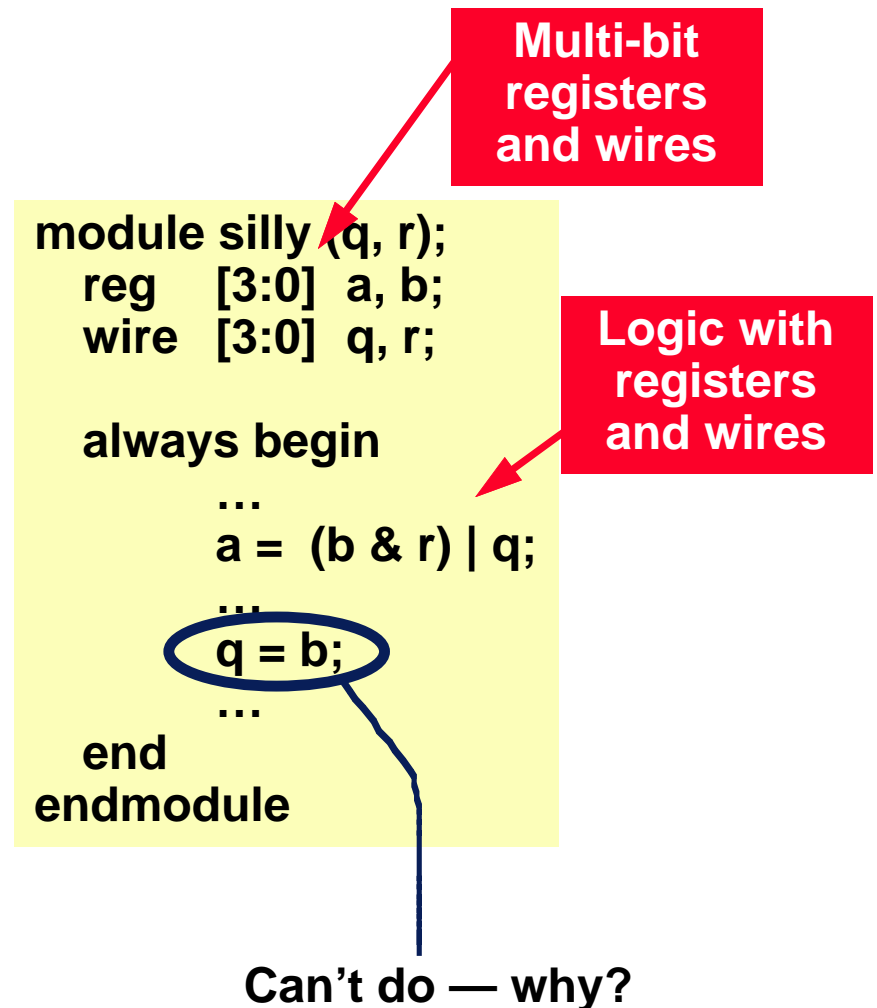
- Define storage, can be more than one bit
- Can only be changed by assigning value to them on the left-hand side of a behavioral expression.

Wires (actually “nets”)

- Electrically connect things together
- Can be used on the right-hand side of an expression
 - Thus we can tie primitive gates and behavioral blocks together!

Statements

- left-hand side = right-hand side
- left-hand side must be a register
- Four-valued logic



Behavioral Statements

if-then-else

- What you would expect, except that it's doing 4-valued logic. 1 is interpreted as True; 0, x, and z are interpreted as False

```
if (select == 1)
    f = in1;
else f = in0;
```

case

- What you would expect, except that it's doing 4-valued logic
- If “selector” is 2 bits, there are 4^2 possible case-items to select between
- There is no *break* statement — it is assumed.

```
case (selector)
    2'b00: a = b + c;
    2'b01: q = r + s;
    2'bx1: r = 5;
    default: r = 0;
endcase
```

Funny constants?

- Verilog allows for sized, 4-valued constants
- The first number is the number of bits, the letter is the base of the following number that will be converted into the bits.

8'b00x0zx10

assume f, a, q, and r are registers for this slide

Behavioral Statements

Loops

- There are restrictions on using these for synthesis — don't.
- They are mentioned here for use in test modules

Two main ones — for and while

- Just like in C
- There is also repeat and forever — see the book

```
reg [3:0] testOutput, i;  
...  
for (i = 0; i <= 15; i = i + 1) begin  
    testOutput = i;  
    #20;  
end
```

```
reg [3:0] testOutput, i;  
...  
i = 0;  
while (i <= 15) begin  
    testOutput = i;  
    #20 i = i + 1;  
end
```

Important: Loops must have a delay operator (or as we'll see later, an @ or wait(FALSE)). Otherwise, the simulator never stops executing them.

Test Module, continued

Bit Selects and Part Selects

- This expression extracts bits or ranges of bits or a wire or register

The individual bits of register `i` are made available on the ports. These are later connected to individual input wires in module `design`.

```
module testgen (i[3], i[2], i[1], i[0]);  
  reg [3:0] i; output i;  
  always  
    for (i = 0; i <= 15; i = i + 1)  
      #20;  
endmodule
```

```
module top;  
  wire w0, w1, w2, w3;
```

```
  testgen t (w0, w1, w2, w3);  
  design d (w0, w1, w2, w3);  
end
```

```
module design (a, b, c, d);  
  input a, b, c, d;
```

```
  mumble, mumble, blah, blah;  
end
```

Alternate:

```
module testgen (i);  
  reg [3:0] i; output i;  
  always  
    for (i = 0; i <= 15; i = i + 1)  
      #20;  
endmodule
```

```
module top;  
  wire [3:0] w;  
  
  testgen t (w);  
  design d (w[0], w[1], w[2], w[3]);  
end
```

Concurrent Constructs

■ We already saw #delay

■ Others

- @ ... Waiting for a *change* in a value — used in synthesis
 - @ (var) w = 4;
 - This says wait for var to change from its current value. When it does, resume execution of the statement by setting w = 4.
- Wait ... Waiting for a value to be a certain level — not used in synthesis
 - wait (f == 0) q = 3;
 - This says that if f is equal to zero, then continue executing and set q = 3.
 - But if f is not equal to zero, then suspend execution until it does. When it does, this statement resumes by setting q = 3.

■ Why are these concurrent?

- Because the event being waited for can only occur as a result of the concurrent execution of some other always/initial block or gate.
- They're happening concurrently

FAQs: behavioral model execution

■ How does an always or initial statement start

- That just happens at the start of simulation — arbitrary order

■ Once executing, what stops it?

- Executing either a #delay, @event, or wait(FALSE).
- All always blocks need to have at least one of these. Otherwise, the simulator will never stop running the model -- (it's an infinite loop!)

■ How long will it stay stopped?

- Until the condition that stopped it has been resolved
 - #delay ... until the delay time has been reached
 - @(var) ... until var changes
 - wait(var) ... until var becomes TRUE

■ Does time pass when a behavioral model is executing?

- No. The statements (if, case, etc) execute in zero time.
- Time passes when the model stops for #, @, or wait.

■ Will an always stop looping?

- No. But an initial will only execute once.

A Combinational Circuit

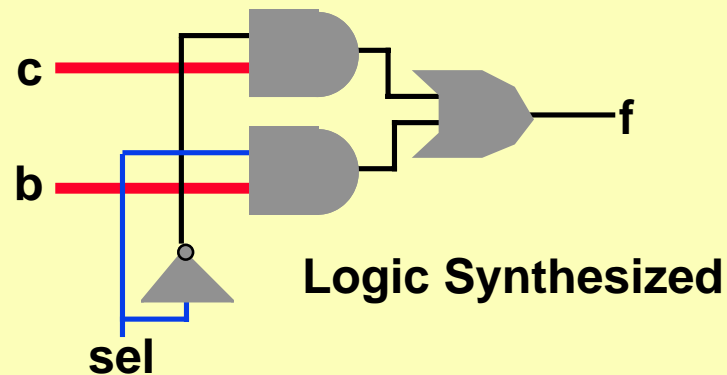
■ Using behavioral constructs

- Logic for a simple MUX is specified procedurally here
- This example is synthesizable

```
module mux (f, sel, b, c);  
  output  f;  
  input   sel, b, c;  
  reg     f;  
  
  always @ (sel or b or c)  
    if (sel == 1)  
      f = b;  
    else  
      f = c;  
  
endmodule
```

Read this as follows:
Wait for any change on a, b, or c,
then execute the begin-end block
containing the if. Then wait for
another change.

This “if” functionally describes the MUX



Is it really correct?

Problem?

- Where's the register?

The synthesis tool *figures out that this is a combinational circuit*. Therefore, it doesn't need a register.

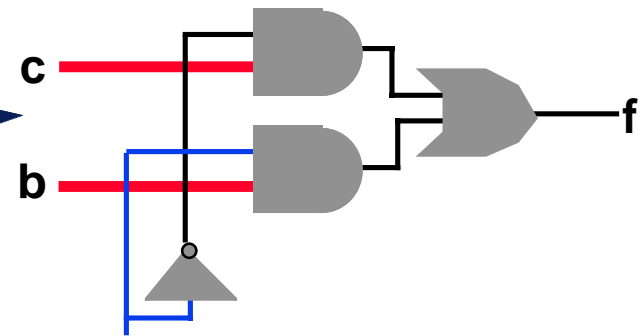
The register is there as an “artifact” of the descriptions — things on the left-hand side have to be registers.

- How does it figure out that this is combinational?

- The output is only a function of the inputs (and not of previous values)
- Anytime an input changes, the output is re-evaluated

- Think about the module as being a black box ...

- Could you tell that there is a register in there?



```
module mux (f, sel, b, c);
  output    f;
  input     sel, b, c;
  reg       f;

  always @ (sel or b or c)
    if (sel == 1)
      f = b;
    else
      f = c;
endmodule
```

Synthesis Template

■ Using procedural statements in Verilog

- Logic is specified in “**always**” statements (“**Initial**” statements are not allowed).
- Each “**always**” statement turns into Boolean functions

```
module blah (f, a, b, c);  
  output  f;  
  input   a, b, c;  
  reg     f;  
  
  always @ (a or b or c)  
  begin  
    stuff...  
    stuff...  
    stuff...  
  end  
endmodule
```

You have to declare the combinational outputs like this, for synthesis. i.e., tool needs to think you are putting these computed outputs someplace.

You have to list *all* the block's inputs here in the “sensitivity list”

Actually do logic in here. There are a bunch of subtle rules to ensure that synthesis won't mess this up... We'll see how...

How? ... A Few Definitions

■ There are some restrictions on specification

- **Input set** of an “always” statement — the set of all variables that are used on the right-hand side of procedural assignments or in conditionals. i.e. anything “sourced”.
- **Sensitivity list** of an “always” statement — the set of all names that appear in the event (“@”) list.

```
module mux (f, sel, b, c);  
  output  f;  
  input   sel, b, c;  
  reg     f;  
  
  always @ (sel or b or c)  
    if (sel == 1)  
      f = b;  
    else  
      f = c;  
  
endmodule
```

The elements in these lists are:



More Definitions...

■ ...

- A control path of an “always” statement — a sequence of operations performed when executing the always statement
- Combinational output of an “always” statement — a variable (or variables) assigned *to* in every control path

```
module mux (f, sel, b, c);  
  output  f;  
  input   sel, b, c;  
  reg     f;  
  
  always @ (sel or b or c)  
    if (sel == 1)  
      f = b;  
    else  
      f = c;  
  
endmodule
```

What are they here...

The Basic Rules

■ The rules for specifying combinational logic using procedural statements

- Every element of the input set must be in the sensitivity list
- The combinational output must be assigned in *every* control path

```
module mux (f, sel, b, c);  
  output  f;  
  input   sel, b, c;  
  reg     f;  
  
  always @ (sel or b or c)  
    if (sel == 1)  
      f = b;  
    else  
      f = c;  
  
endmodule
```

So, we're saying that if any input changes, then the output is re-evaluated. — That's the definition of combinational logic.

Walking this narrow line allows you to specify and synthesize combinational logic

What If You Mess Up?

■ If you don't follow the rules...? ... you're dead meat

- Verilog assumes you are trying to do something clever with the timing
- It's legal, but it won't be combinational
- The rules for what it does make sense -- but not yet for *us*.

```
module blah (f, g, a, b, c);  
  output  f, g;  
  input   a, b, c;  
  reg     f, g;  
  
  always @ (a or b or c)  
    if (a == 1)  
      f = b;  
    else  
      g = c;  
  
endmodule
```

This says: as long as $a==1$, then f follows b . (i.e. when b changes, so does f .) But, when $a==0$, f remembers the old value of b .

Combinational circuits don't remember anything!

What's wrong?

f doesn't appear in *every* control path in the always block (neither does g).

Typical Style

- Your Verilog for combination stuff will look like this:

```
module blah (<output names>, <input names>);
  output   <output names>;
  input    <input names>;
  reg      <output names>;

  always @ (<names of all input vars>)
    begin
      < LHS = RHS assignments >
      < if ... else statements >
      < case statements >
    end
endmodule
```

- Yes...it's a pretty restricted subset of the language...

A Difficulty

■ Assigning in every control path

- If the function is complex, you don't know if you assigned to the outputs in every control path.
- So, set all outputs to some known value (zero here) and write the code to set them to other values as needed.
- Synthesis tools will figure it out.

```
always @(coke or cola) begin
  if (coke)
    blah1 = 1;
  else if (cola > 2'b01)
    blah2 = coke;
  else if ( ...
  ...
end
```



```
always @(coke or cola) begin
  blah1 = 0;
  blah2 = 0;
  if (coke)
    blah1 = 1;
  else if (cola > 2'b01)
    blah2 = coke;
  else if ( ...
  ...
end
```

Using a case statement

■ Truth table method

- List each input combination
- Assign to output(s) in each case item.

■ Concatenation

- {a, b, c} concatenates a, b, and c together, considering them as a single item
- Example

a = 4'b0111

b = 6'b 1x0001

c = 2'bzx

then {a, b, c} =
12'b011111x0001zx

```
module fred (f, a, b, c);  
    output  f;  
    input   a, b, c;  
    reg     f;  
  
    always @ (a or b or c)  
        case ({a, b, c})  
            3'b000: f = 1'b0;  
            3'b001: f = 1'b1;  
            3'b010: f = 1'b1;  
            3'b011: f = 1'b1;  
            3'b100: f = 1'b1;  
            3'b101: f = 1'b0;  
            3'b110: f = 1'b0;  
            3'b111: f = 1'b1;  
        endcase  
endmodule
```

Check the rules ...

How about a Case Statement Ex?

Here's another version ...

```
module fred (f, a, b, c);
  output  f;
  input   a, b, c;
  reg     f;

  always @ (a or b or c)
    case ({a, b, c})
      3'b000: f = 1'b0;
      3'b001: f = 1'b1;
      3'b010: f = 1'b1;
      3'b011: f = 1'b1;
      3'b100: f = 1'b1;
      3'b101: f = 1'b0;
      3'b110: f = 1'b0;
      3'b111: f = 1'b1;
    endcase
endmodule
```

check the rules...

Could
put a
function
here too

```
module fred (f, a, b, c);
  output  f;
  input   a, b, c;
  reg     f;

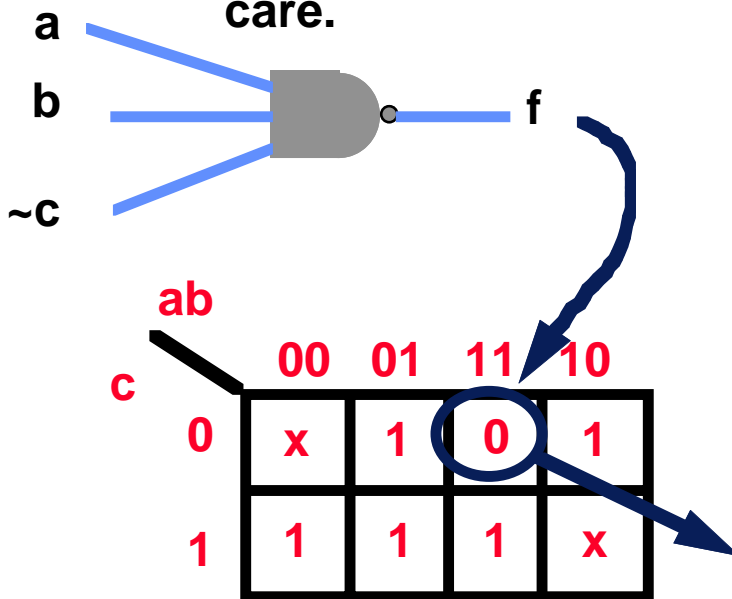
  always @ (a or b or c)
    case ({a, b, c})
      3'b000: f = 1'b0;
      3'b101: f = 1'b0;
      3'b110: f = 1'b0;
      default: f = 1'b1;
    endcase
endmodule
```

Important: every control path is specified

Don't Cares in Synthesis

Rules

- You can't say "if (a == 1'bx)..." — this has meaning in simulation, but not in synthesis.
- However, an unknown x on the right-hand side will be interpreted as a don't care.



The inverse function was implemented; x's taken as ones.

```
module caseExample(f, a, b, c);
    output    f;
    input     a, b, c;
    reg       f;

    always @ (a or b or c)
        case ({a, b, c})
            3'b001: f = 1'b1;
            3'b010: f = 1'b1;
            3'b011: f = 1'b1;
            3'b100: f = 1'b1;
            3'b111: f = 1'b1;
            3'b110: f = 1'b0;
            default: f = 1'bx;
        endcase
endmodule
```

Alternatively...

```
module fred1 (f, a, b, c);
  output f;
  input a, b, c;
  reg f;

  always @ (a or b or c)
    f = ~(a & b & ~c);
endmodule
```

- These aren't quite equivalent to the previous slide...why?

		ab			
		00	01	11	10
c	0	x	1	0	1
	1	1	1	1	x

```
module fred2 (f, a, b, c);
  output f;
  input a, b, c;
  reg f;

  always @ (a or b or c)
    f = ~a | c | ~b;
endmodule
```

```
module fred3 (f, a, b, c);
  output f;
  input a, b, c;
  reg f;

  always @ (a or b or c)
    begin
      if (c == 0)
        f = a~&b;
      else f = 1'b1;
    end
endmodule
```


Two inputs, Three outputs

```
reg [1:0] newJ;
reg out;
input i, j;
always @(i or j)
  case (j)
    2'b00: begin
      newJ = (i == 0) ? 2'b00 : 2'b01;
      out = 0;
    end
    2'b01 : begin
      newJ = (i == 0) ? 2'b10 : 2'b01;
      out = 1;
    end
    2'b10 : begin
      newJ = 2'b00;
      out = 0;
    end
    default: begin
      newJ = 2'b00;
      out = 1'bx;
    end
  end
endcase
```

Works like the C
conditional operator.

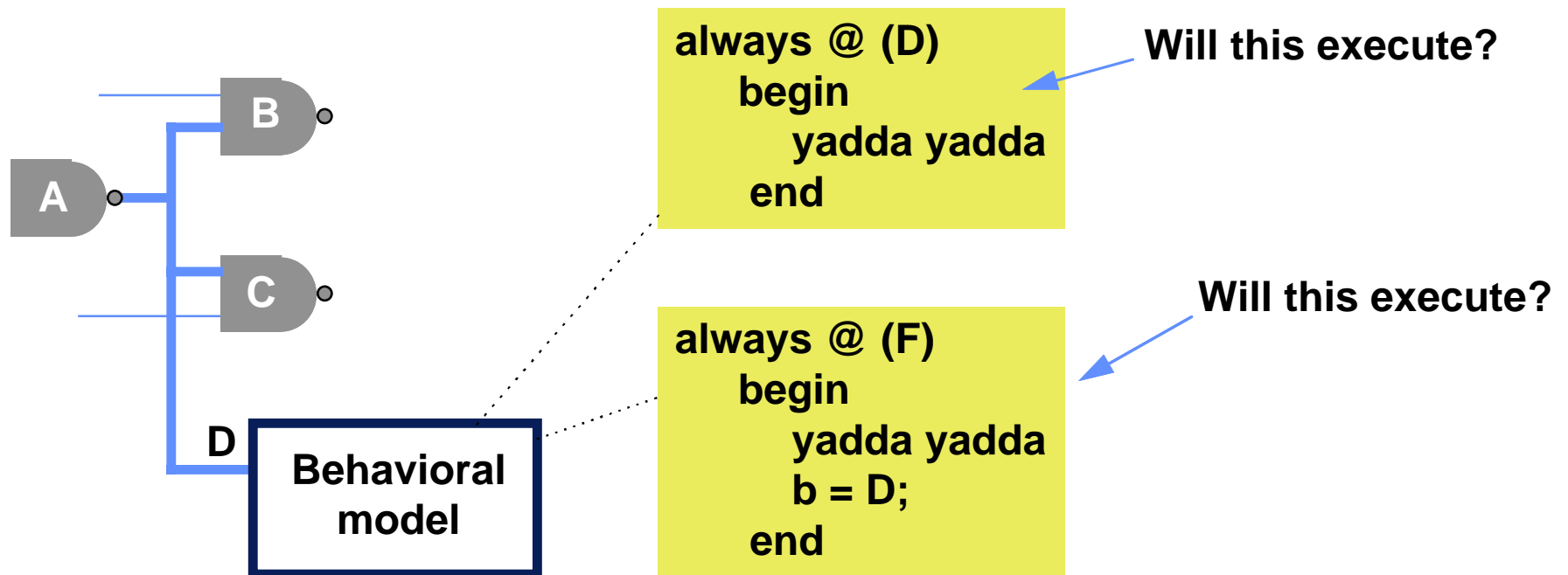
(expr) ? a : b;

If the expr is true,
then the resulting
value is a, else it's b.

Behavioral Model Sensitivity

Quick example

- Gate A changes its output, gates B and C are evaluated to see if their outputs will change, if so, their fanouts are also followed...
- The behavioral model will only execute if it was waiting for a change on the D input
- What order will the gates and behavioral model execute in.



What about time delay

■ **Could we have described the module as shown here?**

- Note the delays. There is a different delay from the b input than from the c input.
- Yes, you could write this

■ **But,**

- Synthesis tools will ignore the time delays.
- Generally, they try to minimize the propagation from any combinational input to any combinational output in the system.

```
module mux (f, sel, b, c);  
    output  f;  
    input   sel, b, c;  
    reg     f;  
  
    always @ (sel or b or c)  
        if (sel == 1)  
            #5 f = b;  
        else  
            #88 f = c;  
  
endmodule
```

Model Organization

■ Here's an always block for a combinational function.

● What Boolean functions can it model?

```
always @(b1 or b2 or b3)
begin
    yadda yadda
end
```

● Can I have more than one of these always blocks in a module?

Yes

● Can two separate always calculate function f?

No

Nope!

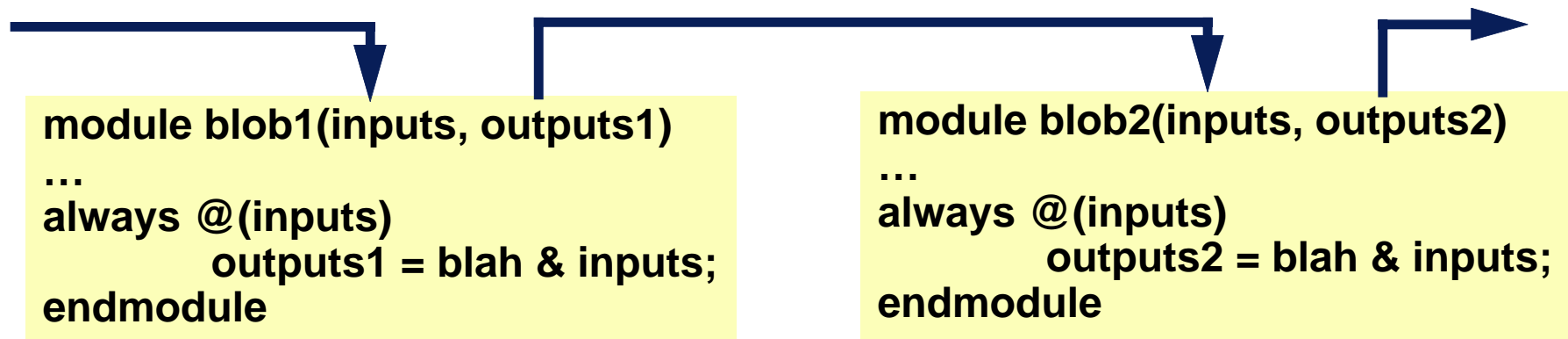
```
module xyzzzy (ports);
...
always @(b1 or b2 or b3)
begin
    f = yadda;
end
always @(r1 or r2 or r3)
begin
    f = yadda yadda;
end
```

```
module xyzzzy (ports);
...
always @(b1 or b2 or b3)
begin
    q = b1 ... b2 ... b3
    r = b2 ... b3
end
always @(r1 or r2 or r3)
begin
    s = yadda yadda yadda
end
```

Model Organization Trade-Off

Module partitioning can affect logic optimizations

- Here are two modules
- The output of blob1 is connected to blob2
- The synthesis tool will optimize them separately
 - No common prime implicants, etc, will be shared or optimized between the two modules.



● Alternate

- Put everything in one module
- Now there's a possibility for optimization between functions

```
module blob1_2(inputs, outputs)
always @(inputs)
    outputs1 = blah & inputs;
always @(outputs1)
    outputs = blah & outputs1;
endmodule
```

Verilog Overview

■ Verilog is a concurrent language

- Aimed at modeling hardware — optimized for it!
- Typical of hardware description languages (HDLs), it:
 - provides for the specification of concurrent activities
 - stands on its head to make the activities look like they happened at the same time
 - Why?
 - allows for intricate timing specifications

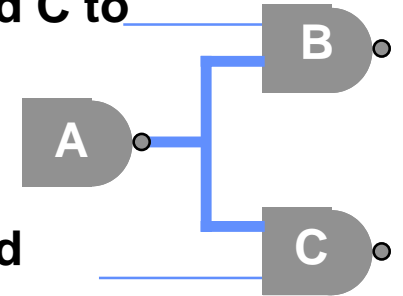
■ A concurrent language allows for:

- Multiple concurrent “elements”
- An event in one element to cause activity in another. (An *event* is an output or state change at a given time)
 - based on interconnection of the element’s ports
- Further execution to be delayed
 - until a specific event occurs

Discrete Event Simulation

■ Quick example

- Gate A changes its output. This causes gates B and C to execute
 - But as we'll see, A doesn't call B and C (as in a function call)
 - Rather, they execute because they're connected



■ Observation

- The elements in the diagram don't need to be logic gates
- SimCity is a discrete event simulator, Verilog too

■ Discrete Event Simulation

- Events — changes in state — occur at discrete times. These cause other events to occur.
- Time advances in discrete (not continuous) steps

■ Non-discrete Event Simulation

- Continuous systems — all elements and state are updated at every simulation time
- Could you do logic circuits that way too?
 - ...
- e.g. analog circuits, numerical integration ...
 - differential equations to solve

Discrete Event Simulation

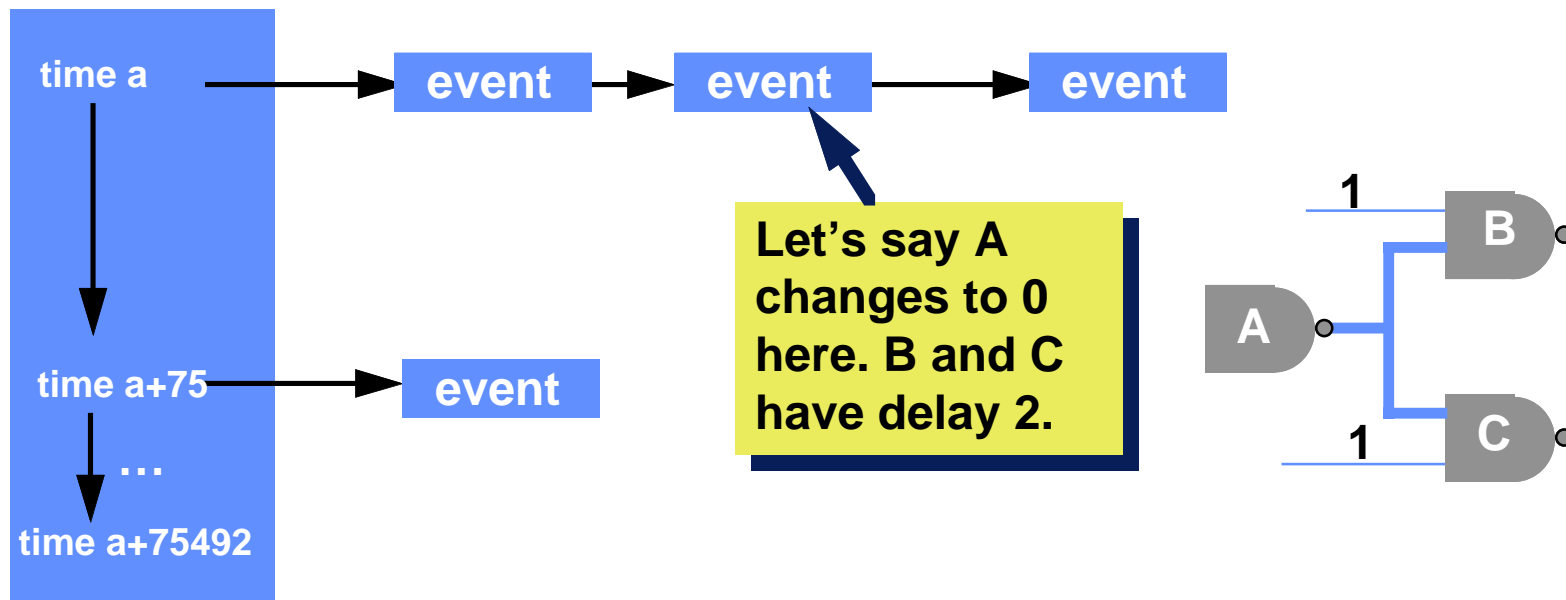
■ Basic models — things not found in C

- gate level — built-in models for AND, OR, ...
 - When an input to one of these changes, the model executes to see if its output should change
- behavioral level — sort-of C-like programs but with a few extra operators
 - Executes until it blocks for one of three reasons — #delay, wait(level), or @(event) — when the reason for blocking is resolved, it continues executing
 - Does C have any notion of these?
- Gate and behavioral models can advance time

How does it keep track of time?

Explicitly

- Events are stored in an event list (actually a 2-D list) ordered by time
- Events *execute* at a time and possibly *schedule* their output to change at a later time (a new event)
- When no more events for the current time, move to the next
- Events within a time are executed in arbitrary order



Approach to Simulating a System

■ Two pieces of a simulation

- **The model** — an executable specification including timing, interconnect, and input vectors
 - Written in a language like Verilog or VHDL
 - What's a VHDL?
- **The simulation scheduler** —
 - keeps track of when events occur,
 - communicates events to appropriate parts of the model,
 - executes the model of those parts, and
 - as a result, possibly schedules more events for a future time.
 - it maintains “simulated time” and the event list.

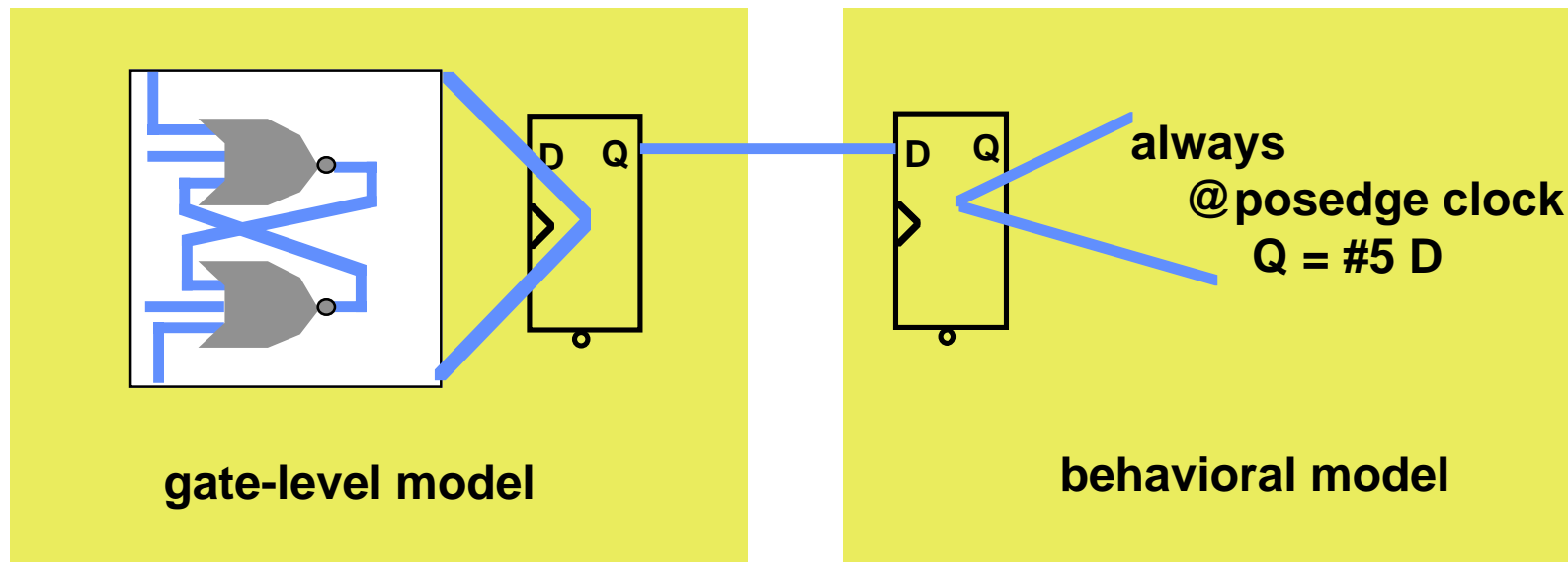
Verilog Levels of Abstraction

■ Gate modeling

- the system is represented in terms of primitive gates and their interconnections
 - NANDs, NORs, ...

■ Behavioral modeling

- the system is represented by a program-like language



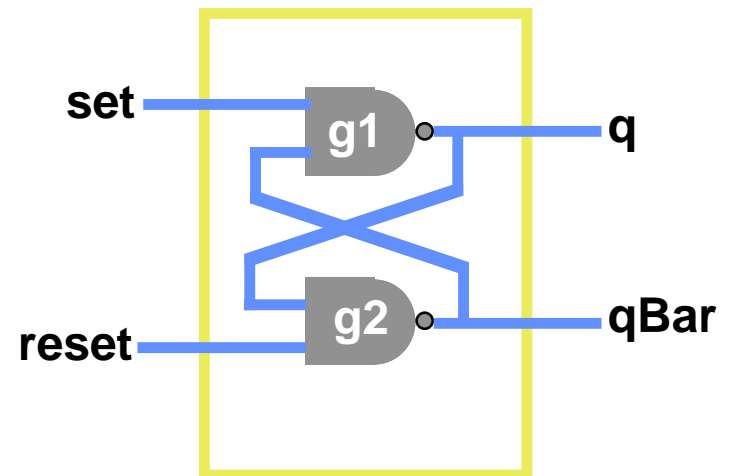
Mixing Levels

■ Generally there is a mix of levels in a model

- e.g. part of the system is at the gate level and another part is at the behavioral level.
- Why?
 - Early in design process you might not have fully-detailed models — you don't actually know all the gate implementations of the multipliers, adders, register files
 - You might want to think of the design at a conceptual level before doing all the work to obtain the gate implementations
 - There might be a family of implementations planned
- Levels — switch, gate, functional block (e.g. ALUs), register-transfer, behavioral
 - for now, we'll deal with gate and behavioral models
- These are all modeled as discrete systems — no continuous modeling of analog behavior

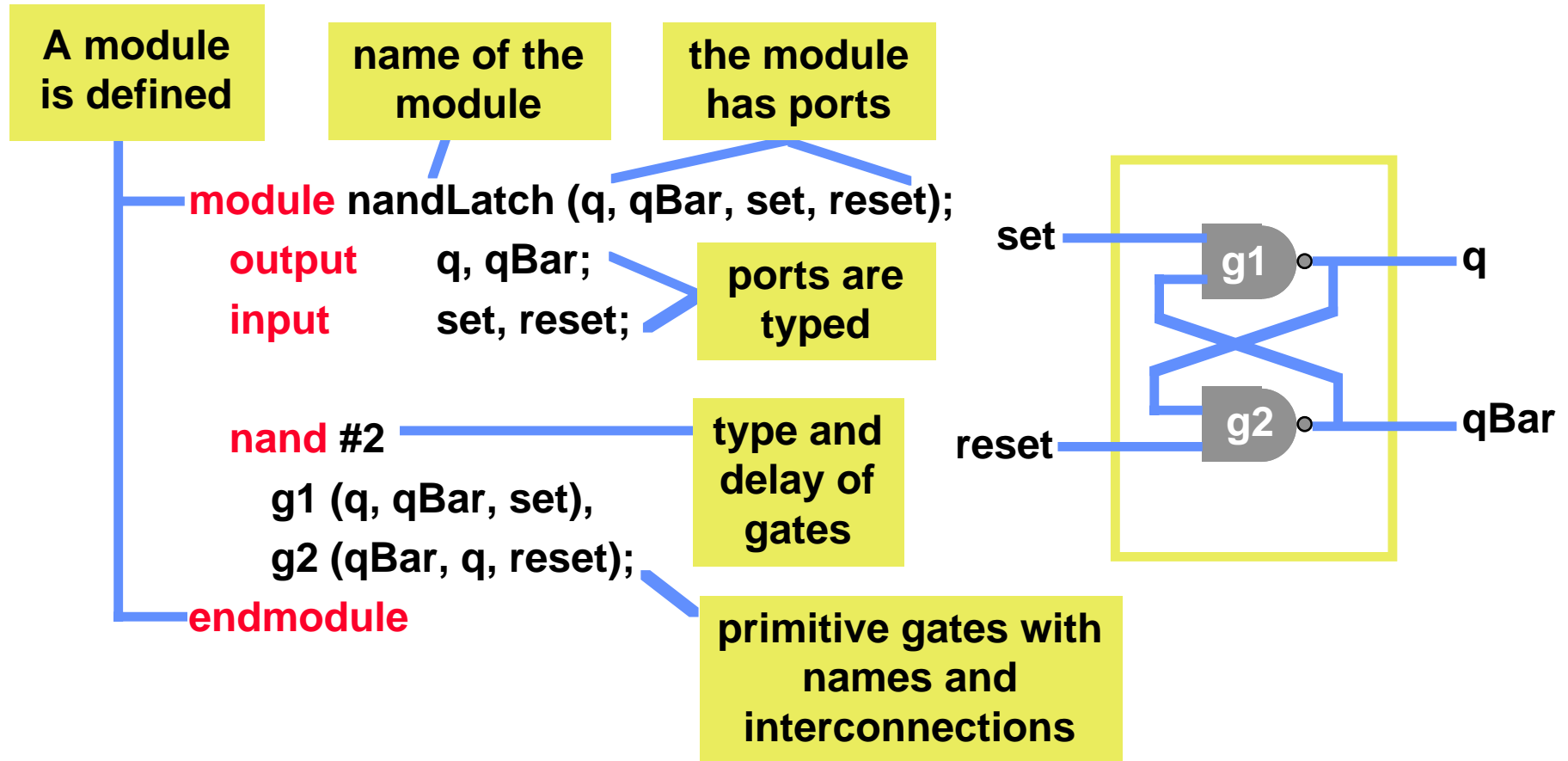
A Gate Level Model

■ A Verilog description of an SR latch



A Gate Level Model

A Verilog description of an SR latch



A Gate Level Model

■ Things to note:

- It doesn't appear "executable" — no *for* loops, *if-then-else*, etc.
 - it's not in a programming sense, rather it describes the interconnection of elements
- A new module made up of other modules has been defined
 - software engineering aspect — we can hide detail

```
module nandLatch (q, qBar, set, reset);  
    output    q, qBar;  
    input     set, reset;  
  
    nand #2  
        g1 (q, qBar, set),  
        g2 (qBar, q, reset);  
endmodule
```


Execution model

■ But, there is an execution model

■ Gate-level timing model

- **Timing model** — how time is advanced, what triggers new processing in the model
- Here — when any of the inputs of a primitive gate change, the output is re-evaluated. If there is a new result, it is passed on to other gates on its fanout.

```
module nandLatch (q, qBar, set, reset);  
    output    q, qBar;  
    input     set, reset;  
  
    nand #2  
        g1 (q, qBar, set),  
        g2 (qBar, q, reset);  
endmodule
```

Behavioral Modeling

■ Why not describe a module's function and delay using a language like C?

- Sound like fun, here goes

```
module d_type_FF (q, clock, data);  
  output  q;  
  reg     q;  
  input   clock, data;  
  
  always  
    @(negedge clock) q = #10 data;  
endmodule
```

reg — declares a one-bit register. Can be thought of as being similar to a variable in programming. BTW, each instantiation of this module will have a separate register q.

always — “while TRUE”
Continuously do the following statement.

@ ... — wait for a negative edge on clock, evaluate “data” now and wait 10 time units. Then assign q to that value and wait for the next negedge

Behavioral Modeling

■ Comparison

- These two models are interchangeable — either could have been instantiated into a register
 - ports in same order
 - same delay from clock to q
 - one is abstract, clear
 - one is specific
 - there are subtle differences

```
module d_type_FF (q, clock, data);  
    output    q;  
    reg      q;  
    input    clock, data;  
  
    always  
        @(negedge clock) q = #10 data;  
endmodule
```

Behavioral

```
module d_type_FF (q, clock, data);  
    input    clock, data;  
    output   q;  
    wire     q, qBar, r, s, r1, s1;  
  
    nor #10  
        a (q, qBar, r);  
    nor  
        b (qBar, q, s),  
        c (s, r, clock, s1),  
        d (s1, s, data),  
        e (r, r1, clock),  
        f (r1, s1, r);  
endmodule
```

endmodule

Structural

At first look, it is a lot like C

■ Most of the operators are the same as C

- ^ is XOR, etc.
- makes it easy to read

■ But there are major differences (quick list, we'll get to these)

- statements like #delay, @event, wait(level)
 - the language is concurrent — can specify many things that can happen at the same time.
- four-valued logic (1, 0, x, z) and the operators to go with them
- arbitrary bit width specification
- there are a couple of procedural assignments (=, <=) with subtle differences
- a different timing model

Behavioral Timing Model *(Not fully detailed here)*

■ How does the behavioral model advance time?

- # — delaying a specific amount of time
- @ — delaying until an event occurs (“posedge”, “negedge”, or any change)
 - this is edge-sensitive behavior
- wait — delaying until an event occurs (“wait (f == 0)”)
 - this is level sensitive behavior

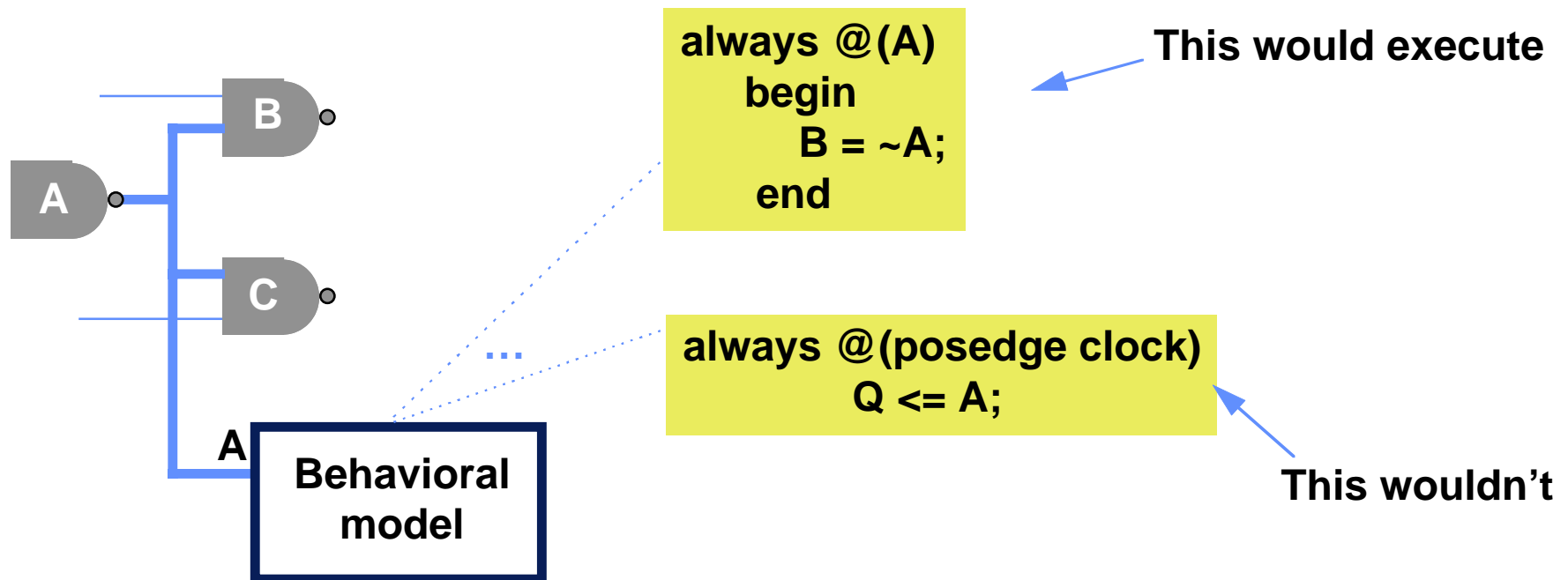
■ What is a behavioral model sensitive to?

- any change on any input? — No
- any event that follows, say, a “posedge” keyword
 - e.g. @posedge clock
 - Actually “no” here too. — not always

What are behavioral models sensitive to?

Quick example

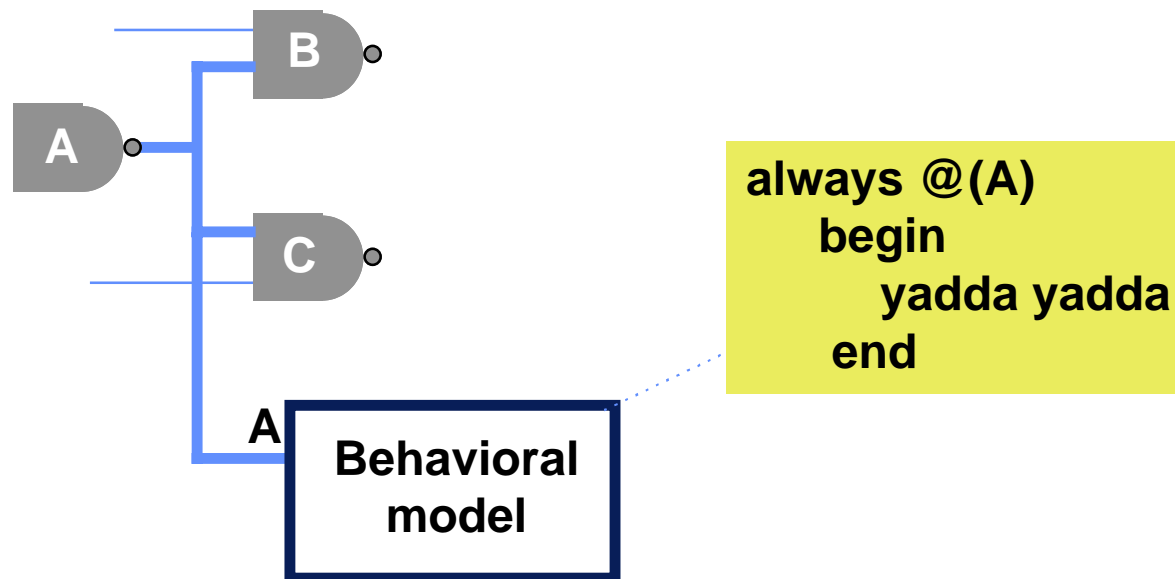
- Gate A changes its output, gates B and C are evaluated to see if their outputs will change, if so, their fanouts are also followed...
- The behavioral model will only execute if it was waiting for a change on the A input



Order of Execution

■ In what order do these models execute?

- Assume A changes. Is B, C, or the behavioral model executed first?
 - Answer: the order is *defined* to be arbitrary
- All events that are to occur at a certain time will execute in an arbitrary order.
- The simulator will try to make them look like they all occur at the same time — but we know better.



Arbitrary Order? Oops!

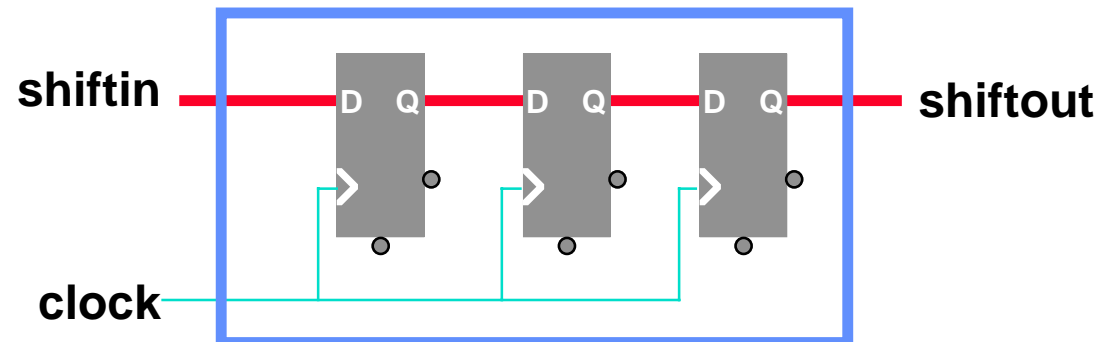
■ Sometimes you need to exert some control

- Consider the interconnections of this D-FF
- At the positive edge of c, what models are ready to execute?
- Which one is done first?

```
module dff(q, d, c);  
    ...  
    always @(posedge c)  
        q = d;  
endmodule  
  
module sreg (...);  
    ...  
    dff    a (q0, shiftin, clock),  
          b (q1, q0, clock),  
          c (shiftout, q1, clock);  
endmodule
```

Oops — The order of execution can matter!

film at 11



Some more gate level examples

An adder

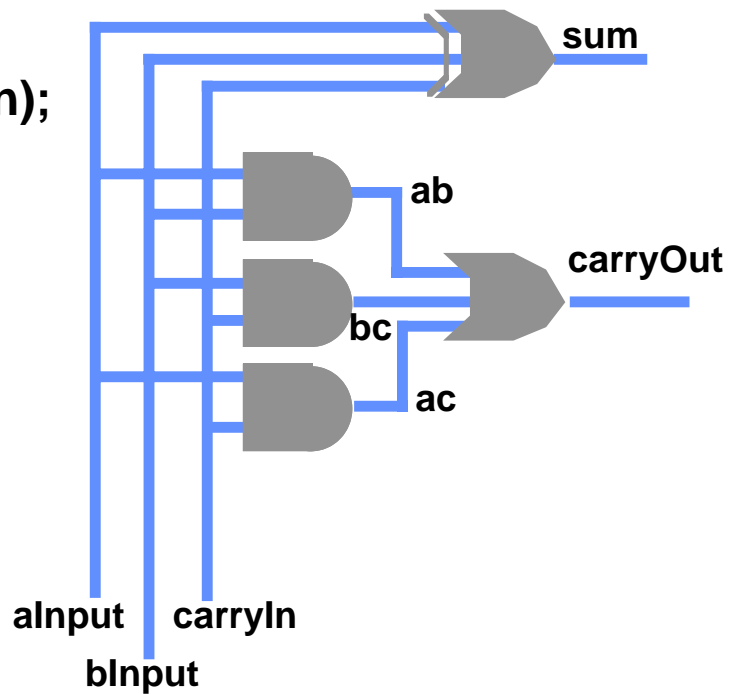
no instance names or delays

```
module adder (carryOut, sum, aInput, bInput, carryIn);
  output      carryOut, sum;
  input       aInput, bInput, carryIn;

  xor        (sum, aInput, bInput, carryIn);
  or         (carryOut, ab, bc, ac);
  and        (ab, aInput, bInput),
             (bc, bInput, carryIn),
             (ac, aInput, carryIn);
endmodule
```

list of gate instances of same function (and)

implicit wire declarations



/// Adder with delays

■ An adder with delays

```
module adder (carryOut, sum, aInput, bInput, carryIn);  
  output      carryOut, sum;  
  input       aInput, bInput, carryIn;  
  
  xor        #(3, 5) (sum, aInput, bInput, carryIn);  
  or         #2      (carryOut, ab, bc, ac);  
  and        #(3, 2) (ab, aInput, bInput,  
                    (bc, bInput, carryIn),  
                    (ac, aInput, carryIn);  
  
endmodule
```

what's this
mean?

each AND gate
instance has the
same delay

alternate timing

Adder, continuous assign

■ Using “continuous assignment”

- **Continuous assignment** allows you to specify combinational logic in equation form
- Anytime an input (value on the right-hand side) changes, the simulator re-evaluates the output
- No gate structure is implied — logic synthesis can design it.
 - the description is a little more abstract
- A behavioral function may be called — details later

```
module adder (carryOut, sum, aInput, bInput, carryIn);  
    output    carryOut, sum;  
    input     aInput, bInput, carryIn;  
  
    assign    sum = aInput ^ bInput ^ carryIn,  
               carryOut = (aInput & bInput) | (bInput & carryIn) |  
                           (aInput & carryIn);  
  
endmodule
```

I'm sick of this adder

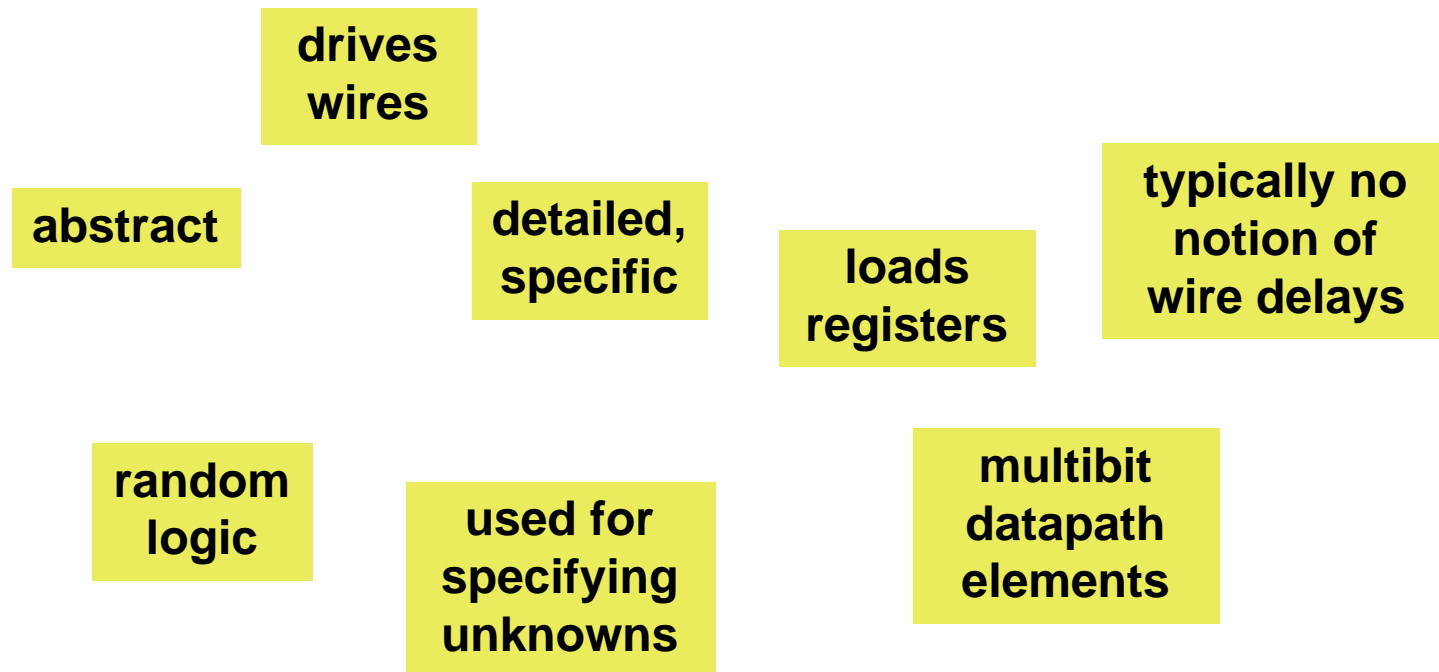
■ Continuous assignment assigns continuously

- delays can be specified (same format as for gates) on whole equation
- no instances names — nothing is being instantiated.
- given the same delays in this and the gate-level model of an adder, there is no functional difference between the models
 - FYI, the gate-level model gives names to gate instances, allowing back annotation of times.

```
module adder (carryOut, sum, aInput, bInput, carryIn);  
    output    carryOut, sum;  
    input     aInput, bInput, carryIn;  
  
    assign    #(3, 5)  sum = aInput ^ bInput ^ carryIn;  
    assign    #(4, 8)  carryOut = (aInput & bInput) | (bInput & carryIn) |  
                                (aInput & carryIn);  
  
endmodule
```

Continuous Assign

■ Using continuous assign vs gate instantiations



which goes with which?

Gate level timing model

■ Execution model

- *execution model* — how time advances and new values are created
- a fundamental concept in any language

■ Gate level timing model

- applies to both primitive instantiations and continuous assigns

■ Definition —

- when an *input* changes, the simulator will evaluate the primitive or continuous assign statement, calculating a new output
- if the *output* value is different, it is propagated to other primitive and assign inputs
- nothing said yet about behavior.

Gate level timing model

■ What's an input?

- an input to a gate primitive
- anything on the right-hand side of the “=” in a continuous assign

■ What's an output?

- the output of a gate primitive
- anything on the left-hand side of the “=” in a continuous assign

■ Outputs on this “side” of the language are all ...

- ... wires
- no registers are latched/loaded, no need to know about a clock event
- i.e. the left-hand sides are all wires

■ Contrast

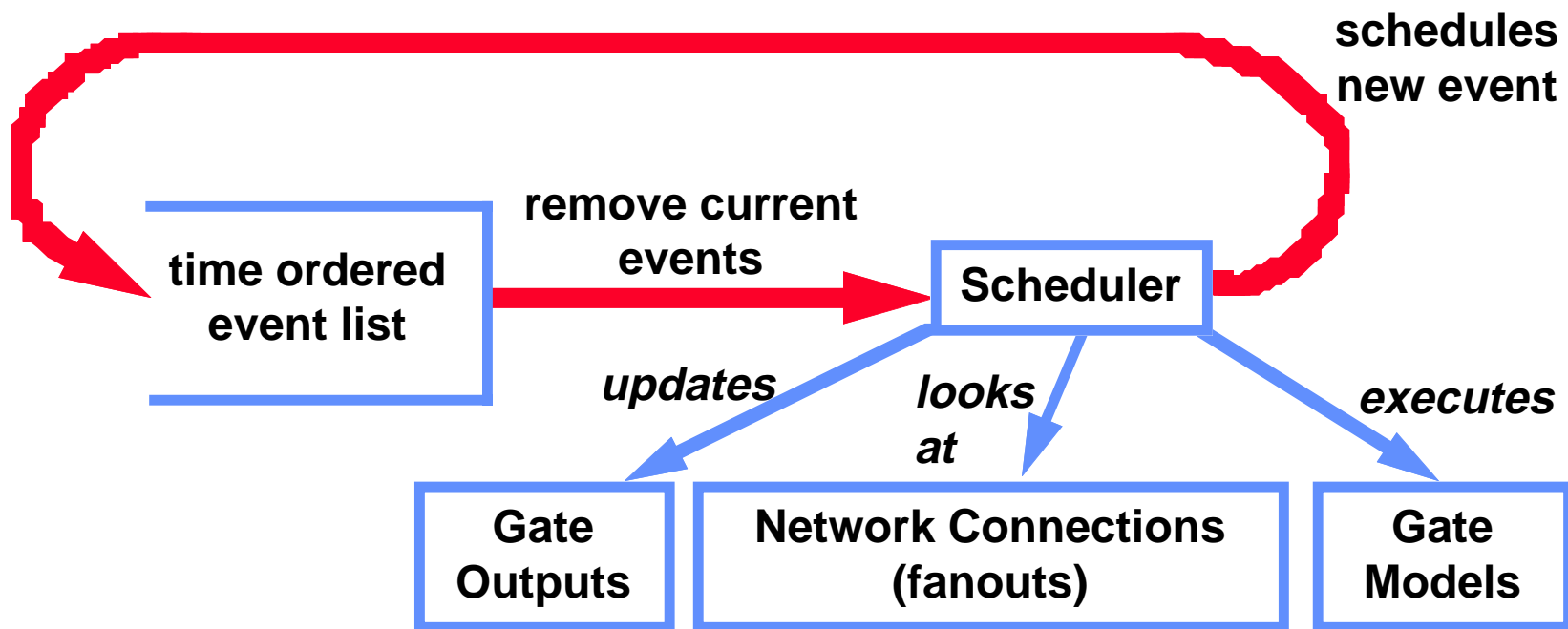
- The left-hand sides on the behavioral “side” of the language are all registers

Event-Driven Simulation

■ How does the simulator execute a gate-level model

■ Event-driven simulation

- **Event** — a *value-change* occurs at a given *time*
- The event-driven simulator only executes models when events occur
 - (some simulators execute every model every time unit)



Events

■ Two types of events

- **Evaluation events** — evaluate, or execute, a gate model or continuous assign.
 - produce update events
 - i.e. if the output changes, schedule an update event
- **Update events** — propagate new values along a fanout.
 - produce evaluation events
 - for each element on the fanout, schedule an evaluation event

■ We'll treat these as separate types of events

- gate level simulators generally combine them for efficiency
- i.e. when an output is updated, instead of scheduling an evaluation, just do the evaluation and schedule any updates resulting from it.
- We'll keep them separate for now — it will help in the later discussion of behavioral models

Event-Driven Simulation

while something in time-ordered event list {
 advance simulation time to top event's time
 retrieve all events for this time

For each event in *arbitrary* order

If it's an update event

Update the value specified.

Follow fanout and evaluate gate models.
Schedule any new updates from gates.

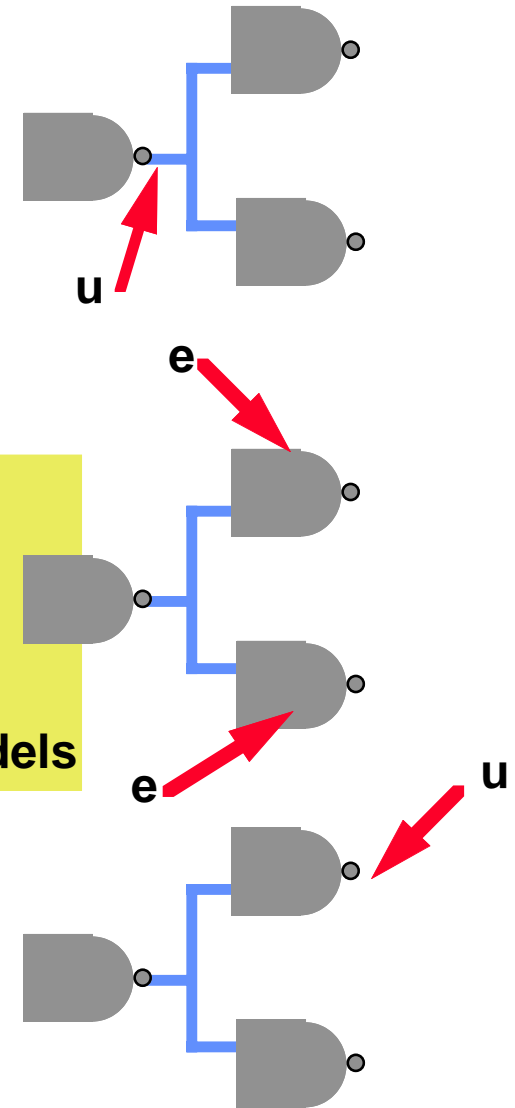
Schedule eval events for behavioral models

else // it's an evaluation event

evaluate the model

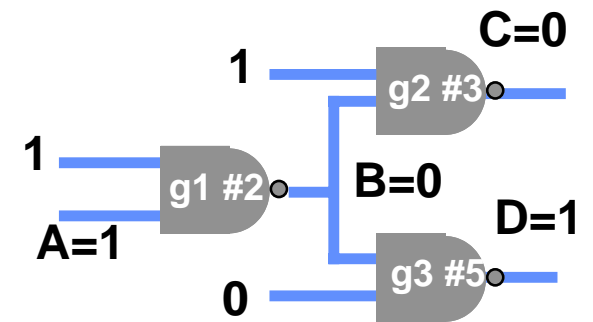
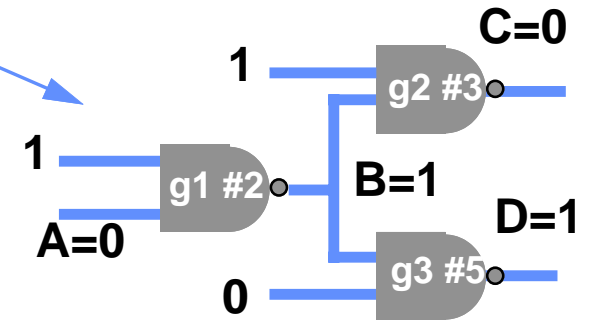
schedule resulting update events

}



Event-Driven Simulation

the event list	
Update A=1 at 25	init values as shown
Update A=1 at 25	init values as shown
Update A=1 at 25	init values as shown

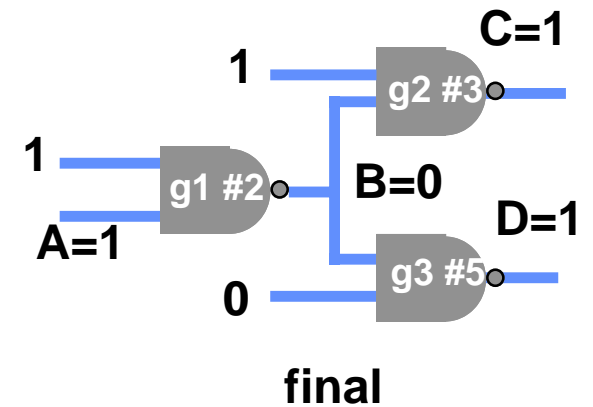


Event-driven simulation

	Update A=1 at 25	init values as shown
--	------------------------	----------------------------

	Update A=1 at 25	init values as shown
--	------------------------	----------------------------

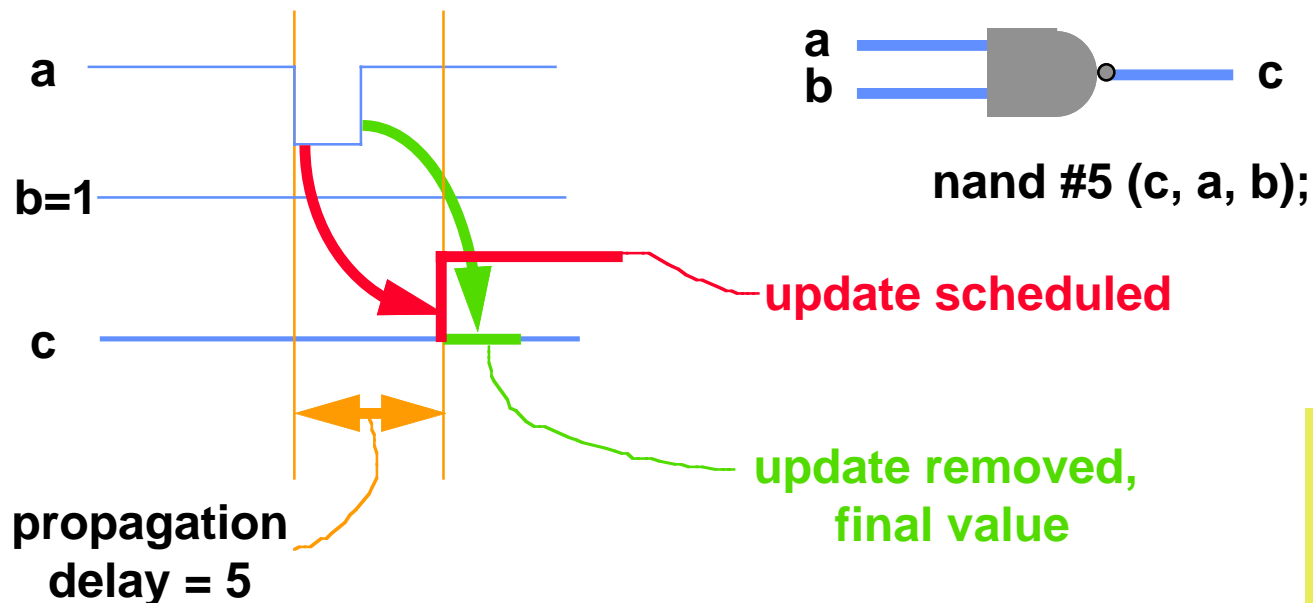
	Update A=1 at 25	init values as shown
--	------------------------	----------------------------



Gate level timing model

■ What if an update event is already scheduled for an output?

- if the value being scheduled is different, the currently scheduled value is removed from the event list; the new is not scheduled
- thus, any input pulse shorter than the propagation delay will not be seen (inertial delay)



what happens in four-valued logic?

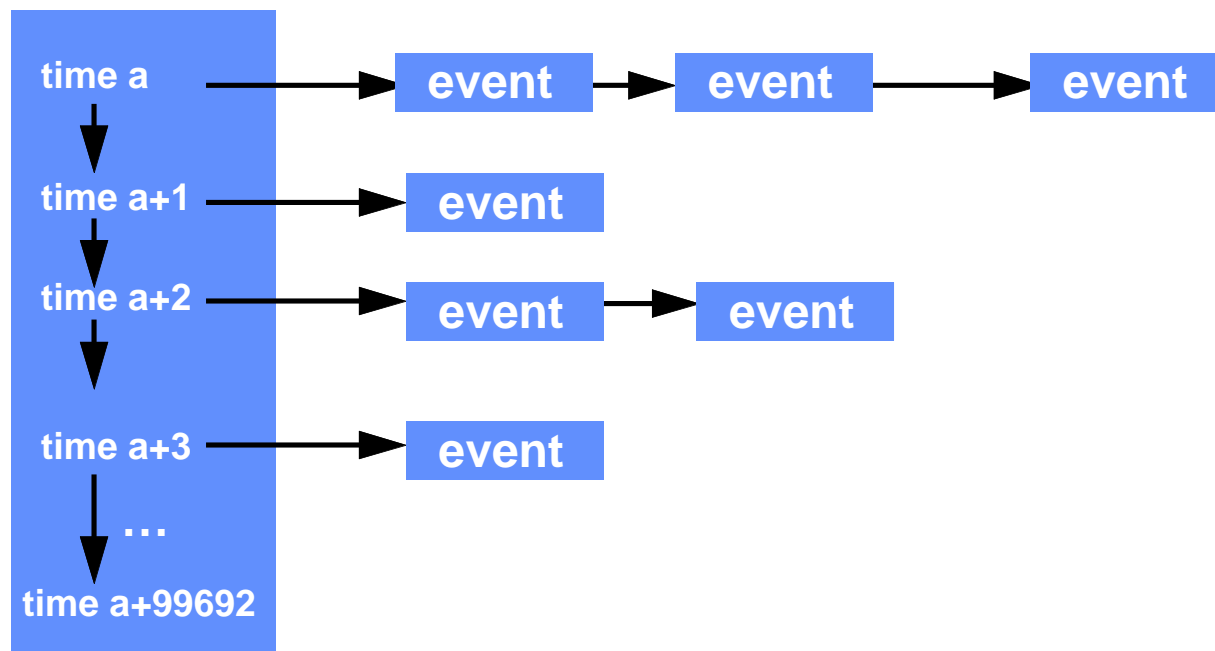
Scheduling and event list management

■ Can think of the event list as a 2-D linked list

- One dimension links all the events for a given time
- The second dimension links these lists in ascending order

■ Problem

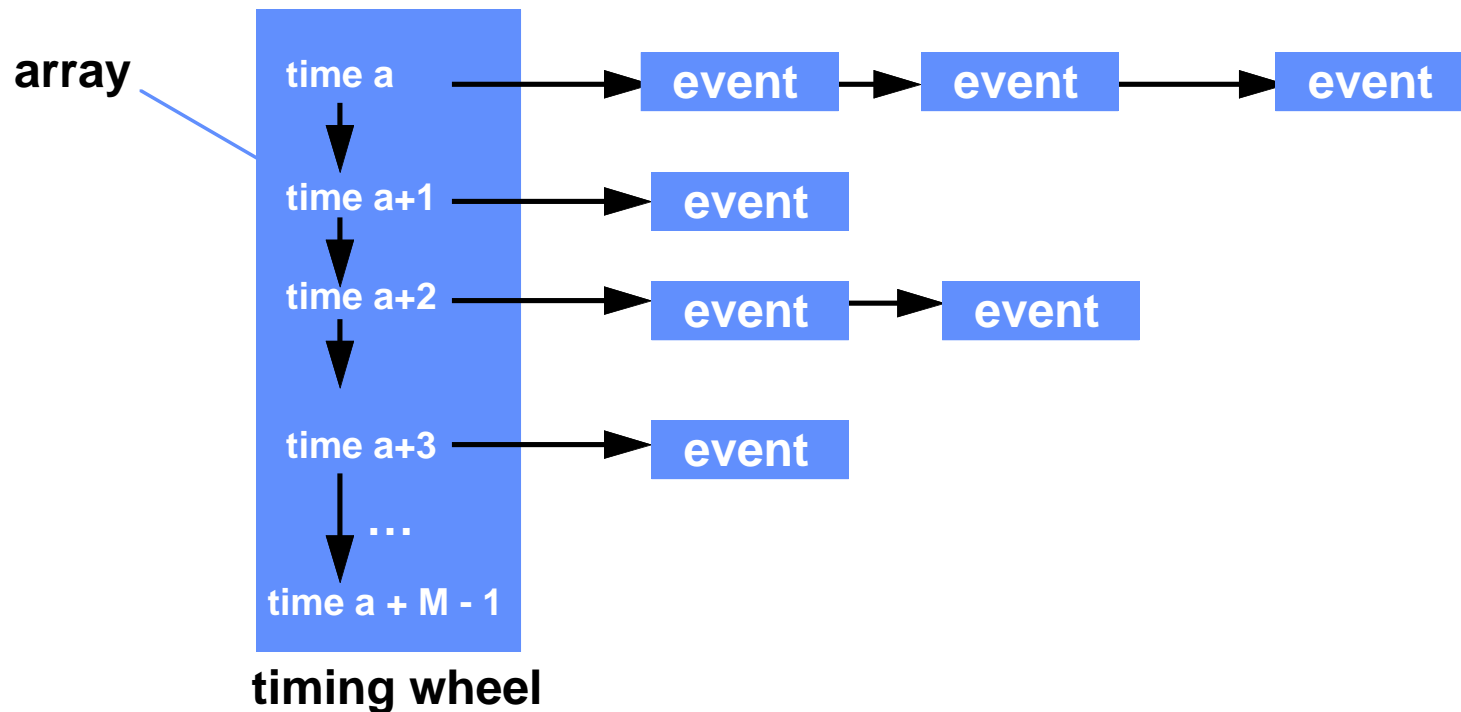
- inefficient — most events are near in time to the current one, thus lots of linked list bashing



/// Scheduling and event list management

■ Hack of the rich and famous — “Timing wheel”

- **M nearest time slots stored in an array — M is a power of two**
- **Access a list by (time mod M) — a table lookup**
- **Essentially turned first linked list access into an array access saving time**
- **Further out times are kept in linked list. As time is advanced, further out times are brought into wheel**



Asides

- **Can a gate model be executed several times in a time step?**

- **Does the order of execution of the gates in a combinational circuit matter?**

Summary on gate evaluation

■ Timing model

- **timing-execution model**

- how time is advanced and new values created

- Any gate input or assign righthand-side change causes the model to be evaluated during the time step

- this is not the case for behavioral models — they have a different timing model

- Fanout list is static — design never changes

■ Gate level modeling

- detailed timing

■ Continuous assignment

- abstract

■ What if you don't like these models?

- e.g., inertial delays?

- use behavioral models

Review Stuff

■ Update Events

- A new value appears at some simulated time

■ Evaluation Events

- A model is executed (evaluated) at some simulated time

■ Event List

- A time-ordered list of events

■ Simulation scheduler

- Software program that manages the event list by scheduling update and evaluation events, tracing fanouts to propagate values, and manages simulated time

Behavioral Timing Model

■ How does the behavioral model advance time?

- # — delaying a specific amount of time
- @ — delaying until an event occurs — e.g. @v
 - “posedge”, “negedge”, or any change
 - this is edge-sensitive behavior
 - When the statement is encountered, the value v is sampled. When v changes in the specified way, execution continues.
- wait — delaying until an event occurs (“wait (f == 0)”)
 - this is level sensitive behavior
- While one model is waiting for one of the above reasons, other models execute — time marches on

Wait

■ Wait — waits for a level on a line

- How is this different from an “@” ?

■ Semantics

- wait (expression) statement;
 - e.g. wait (a == 35) q = q + 4;
- if the expression is FALSE, the process is stopped
 - when a becomes 35, it resumes with q = q + 4
- if the expression is TRUE, the process is not stopped
 - it continues executing

■ Partial comparison to @ and

- @ and # always “block” the process from continuing
- wait blocks only if the condition is FALSE

An example of wait

```
module handshake (ready, dataOut, ...)
  input      ready;
  output [7:0] dataOut;
  reg [7:0] someValueWeCalculated;

  always begin
    wait (ready);
    dataOut = someValueWeCalculated;
    ...
    wait (~ready)
    ...
  end
endmodule
```



Do you always get the value right when ready goes from 0 to 1? Isn't this edge behavior?

Wait vs. While

■ Are these equivalent?

- No: The left example is correct, the right one isn't — it won't work
- *Wait* is used to wait for an expression to become TRUE
 - the expression eventually becomes TRUE because a variable in the expression is changed by **another** process
- *While* is used in the normal programming sense
 - in the case shown, if the expression is TRUE, the simulator will continuously execute the loop. Another process will never have the chance to change "in". **Infinite loop!**
 - while can't be used to wait for a change on an input to the process. Need other variable in loop, or # or @ in loop.

```
module yes (in, ...);  
input  in;  
...  
    wait (in == 1);  
    ...  
endmodule
```

```
module no (in, ...);  
input  in;  
...  
    while (in != 1);  
    ...  
endmodule
```

Blocking procedural assignments and

■ We've seen **blocking assignments** — they use =

- Options for specifying delay

#10 a = b + c;
a = #10 b + c; > The difference?

- The differences:

Note the action of the second one:

- an *intra-assignment* time delay
- execution of the always statement is blocked (suspended) in the middle of the assignment for 10 time units.
- how is this done?

Events — @something

■ Action

- when first encountered, sample the expression
- wait for expression to change in the indicated fashion

- This always blocks

■ Examples

```
always @(posedge ck)
  q <= d;
```

```
always @(hello or goodbye)
  a = b;
```

```
always @(hello)
  a = b;
```

```
always begin
  yadda = yadda;
  @(posedge hello or negedge goodbye)
  a = b;
  ...
end
```


Sensitivity Lists

■ In the gate level timing model...

- model execution was sensitive to any change on any of the inputs at any time.
- **sensitivity list** — a list of inputs that a model is sensitive to
 - a change on any of them will cause execution of the model
- In the gate level timing model, the lists don't change.
- Ditto with continuous assign

■ In procedural models ...

- the sensitivity list changes as as function of time and execution

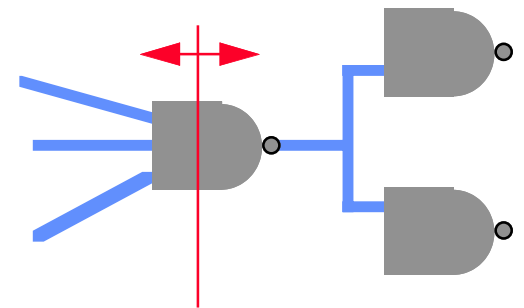
```
module d_type_FF (q, clock, data);
    input    clock, data;
    output   q;

    nor #10
        a (q, qBar, r);
    nor
        b (qBar, q, s),
        c (s, r, clock, s1),
        d (s1, s, data),
        e (r, r1, clock),
        f (r1, s1, r);
endmodule
```

Structural

Fanout Lists

- **Outputs of things are connected to inputs of other things**
 - No surprise
 - The simulator maintains a list of inputs driven by each “output”
- **Why?**
 - When the output changes, it’s easy to figure out what other models need (to be) evaluated
- **What’s an “output” in the above sense?**
 -
 -
 -
- **Because of procedural models ...**
 - Fanout lists change
- **Fanout lists \longleftrightarrow Sensitivity lists**



Behavioral Timing Model

■ What is the behavioral model sensitive to?

- The behavioral statements execute in sequence (one then the next)
- Therefore, what a behavioral model is sensitive to is context specific
 - i.e. it is only sensitive to what it is currently waiting for
 - time, edge, level — (#, @, wait)
- The model is not sensitive to a change on *y*, or *w*.

```
always begin
  @ (negedge clock1)
    q = y;
  @ (negedge clock2)
    q = w;
  @ (posedge clock1)
    /*nothing*/ ;
  @ (posedge clock2)
    q = 3;
end
```

Here, it is only sensitive to clock1

Here, it is only sensitive to clock2. A posedge on clock1 will have no effect when waiting here.

It is never sensitive to changes on *y* or *w*

Scheduling #, @, and Wait

■ How are #, @, and *wait* tied into the event list?

● # delay

- schedule the resumption of the process — put it in the event queue delay units into the future. Essentially an evaluation event scheduled in the future

● @ change

- when suspended for an @v, the behavioral model is put on the fanout list of the variable v. i.e., the behavioral model is now sensitive to v.
- When an update event for v occurs, (e.g. posedge), then the behavioral model is scheduled to resume at the current time — an evaluation event.

● Wait (exp)

- if exp is TRUE, don't stop
- if exp is FALSE, then the behavioral model is put on the fanout list(s) of the variable(s) in exp. (it's now sensitive to the variable(s))
- When there is an update event for any of the variables in exp, exp is evaluated. If exp is TRUE, resume executing in the current time (schedule an eval event), else go back to sleep

Non-blocking assignments (\leq)

Two important aspects to these

- an intra-assignment time delay doesn't stop them (they're non-blocking)
- they implement a concurrent assignment

Example — intra-assignment time delay

- **non-blocking** assignments use “ \leq ”

$a \leq \#10 b + c;$

What happens?

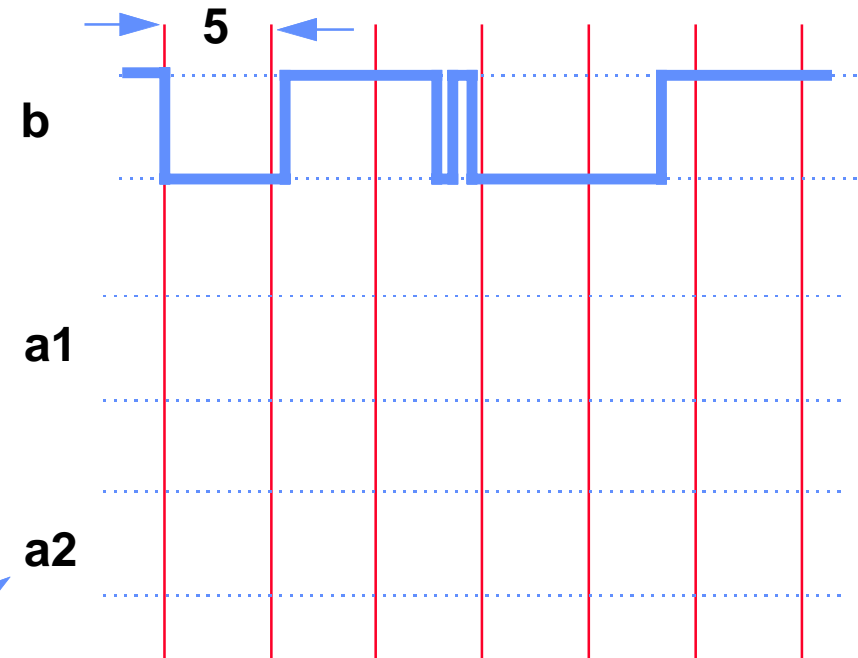
- $b + c$ is calculated
- an update event for a is scheduled $\#10$ in future
- execution of the always *continues* in the *current* time
 - the execution of the always is not blocked by the delay
- there is also a subtle difference in how a is updated ...
 - we'll get to it, but first, an example

Intra-Assignment Non-blocking Example

What's the difference?

```
module procAnd1 (a1, b, c);  
  input  b, c;  
  output a1;  
  
  always @(b or c)  
    a1 = #5 b & c;  
endmodule
```

```
module procAnd2 (a2, b, c);  
  input  b, c;  
  output a2;  
  
  always @(b or c)  
    a2 <= #5 b & c;  
endmodule
```



assume c = 1

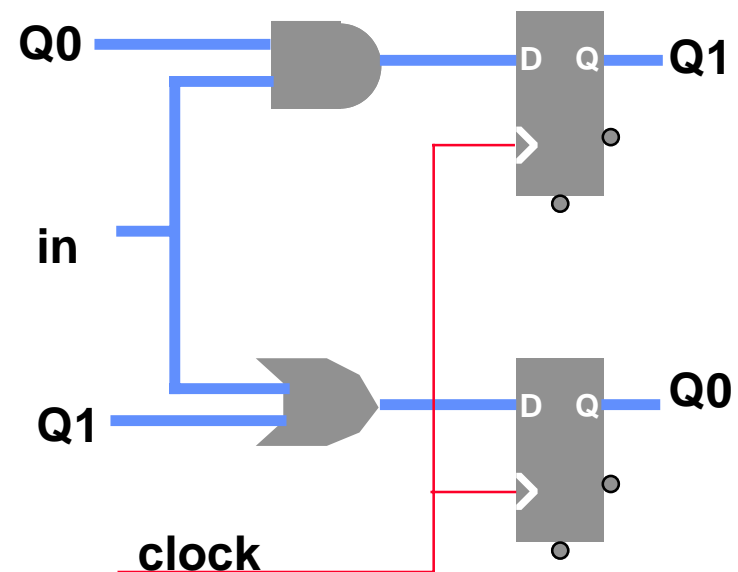
Which is similar to an AND primitive?

Non-Blocking Concurrent Assignment

Concurrent Assignment — primary use of `<=`

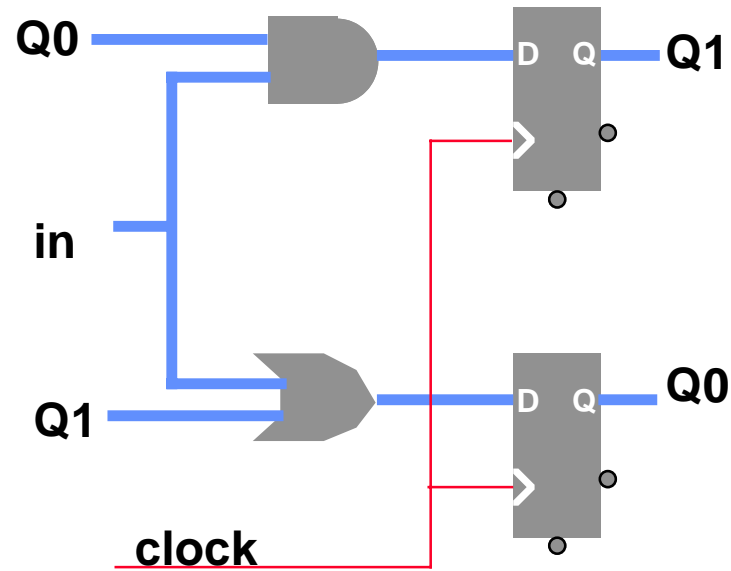
- The assignment is “guarded” by an edge
- All assignments guarded by the edge happen concurrently
 - All right-hand sides are evaluated before any left-hand sides are updated
 - Like this

```
module fsm (Q1, Q0, in, clock);  
  output  Q1, Q0;  
  input   clock, in;  
  reg     Q1, Q0;  
  
  always @(posedge clock) begin  
    Q1 <= in & Q0;  
    Q0 <= in | Q1;  
  end  
endmodule
```



Edges in time – concurrent assignment

```
module fsm (Q1, Q0, in, clock);  
  output Q1, Q0;  
  input clock, in;  
  reg Q1, Q0;  
  
  always @(posedge clock) begin  
    Q1 <= in & Q0;  
    Q0 <= in | Q1;  
  end  
endmodule
```



Values after the clock edge (t^+)

— calculated in response to the clock edge, using values *at* the clock edge

Values at the clock edge. (At t^-)

Alternates – not all equivalent

```
module fsm (Q1, Q0, in, clock);  
  output  Q1, Q0;  
  input   clock, in;  
  reg     Q1, Q0;  
  
  always @(posedge clock) begin  
    Q1 <= in & Q0;  
    Q0 <= in | Q1;  
  end  
endmodule
```

```
module fsm (Q1, Q0, in, clock);  
  output  Q1, Q0;  
  input   clock, in;  
  reg     Q1, Q0;  
  
  always @(posedge clock) begin  
    Q1 = in & Q0;  
    Q0 = in | Q1;  
  end  
endmodule
```

A very different animal?

```
module fsm (Q1, Q0, in, clock);  
  output  Q1, Q0;  
  input   clock, in;  
  reg     Q1, Q0;  
  
  always @(posedge clock) begin  
    Q0 <= in | Q1;  
    Q1 <= in & Q0;  
  end  
endmodule
```

The same?

How about these?

```
module fsm1 (Q1, Q0, in, clock);
    output    Q1;
    input     clock, in, Q0;
    reg       Q1;

    always @(posedge clock) begin
        Q1 <= in & Q0;
    end
endmodule
```

```
module fsm0 (Q1, Q0, in, clock);
    output    Q0;
    input     clock, in, Q1;
    reg       Q0;

    always @(posedge clock) begin
        Q0 <= in | Q1;
    end
endmodule
```

Will these work?

```
module fsm1 (Q1, Q0, in, clock);
    output    Q1;
    input     clock, in, Q0;
    reg       Q1;

    always @(posedge clock) begin
        Q1 = in & Q0;
    end
endmodule
```

```
module fsm0 (Q1, Q0, in, clock);
    output    Q0;
    input     clock, in, Q1;
    reg       Q0;

    always @(posedge clock) begin
        Q0 = in | Q1;
    end
endmodule
```

These?

The Important Aspect ...

■ **Non-Blocking Concurrent transfers**

- Across the **whole** design,

all right-hand sides are evaluated

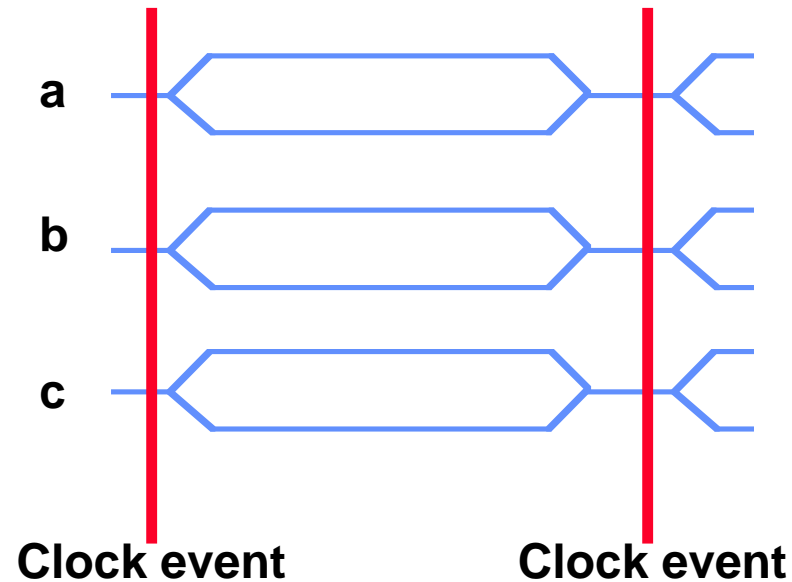
before any left-hand sides are updated.

- Thus, the order of r-hs's evaluated and l-hs's updated can be arbitrary (but separate)

■ **This allows us to ...**

- handle concurrent specification in major systems
- reduce the complexity of our descriptions
- attach lots of actions to one event — the clock

A State Change

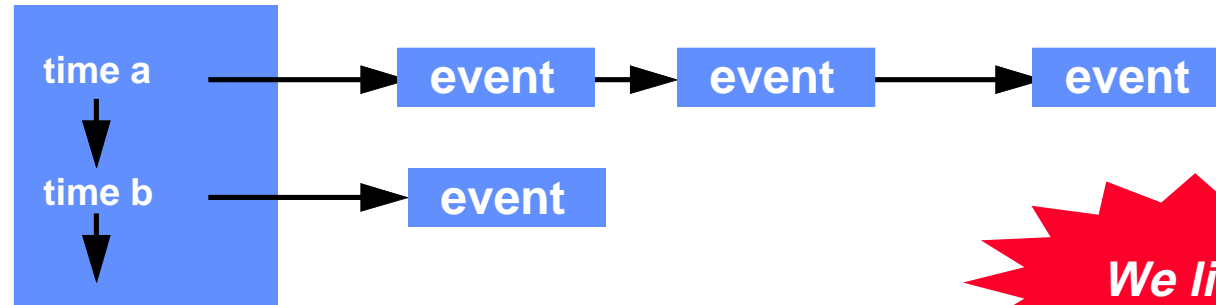


■ Find all of your “state” variables

- Not just FSM state, but registers in a datapath too
- They’re probably all keyed to an edge of a clock
- Use `<=` to assign to them at the edge
- You’re guaranteed they’ll all be sampled before any of them are updated.
- **A check:** in many cases, the only `#delay` operator you need is in the clock (for functional specification)

Event List: We told a fib

■ This is what we told you before:

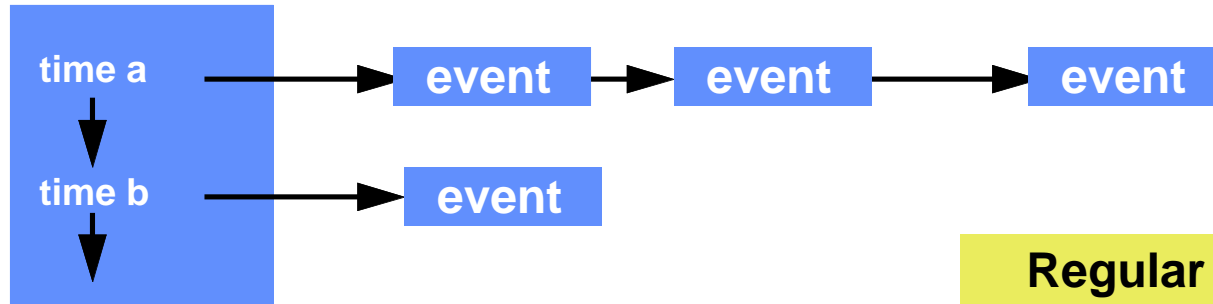


■ Issues

- In a concurrent language, there are some very dirty issues regarding the “arbitrary order” of execution.
- In software, such issues are handled by synchronization primitives
 - Some of you have probably seen semaphores in the OS or real-time (embedded systems) course
 - They only allow other concurrent parts of a system to see full state changes, not partial. State changes appear “atomic”
 - These provide a very clean way to enforce order (actually, mutual exclusion) within “zero time”

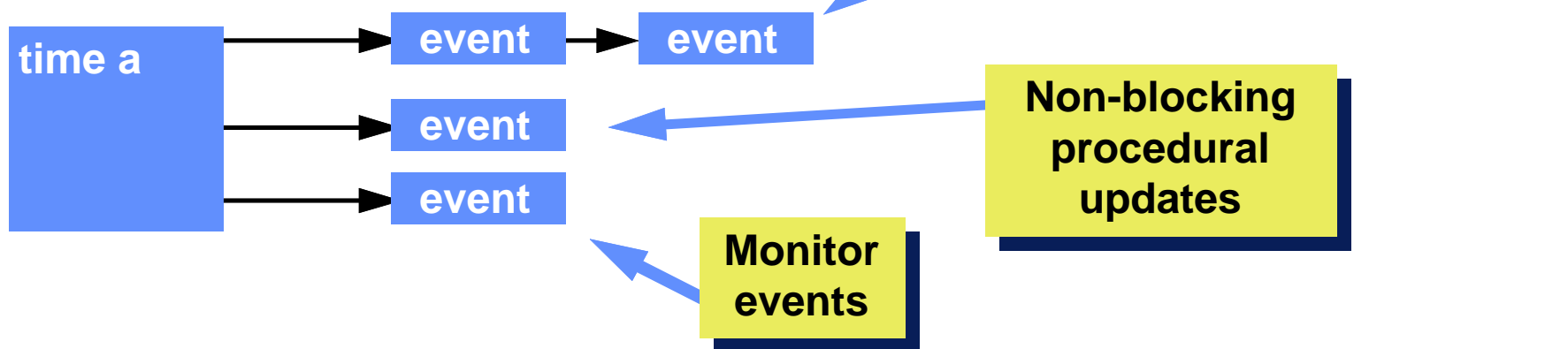
Differences in the Event List Scheduling

Previous picture of doubly linked event list



More detailed view

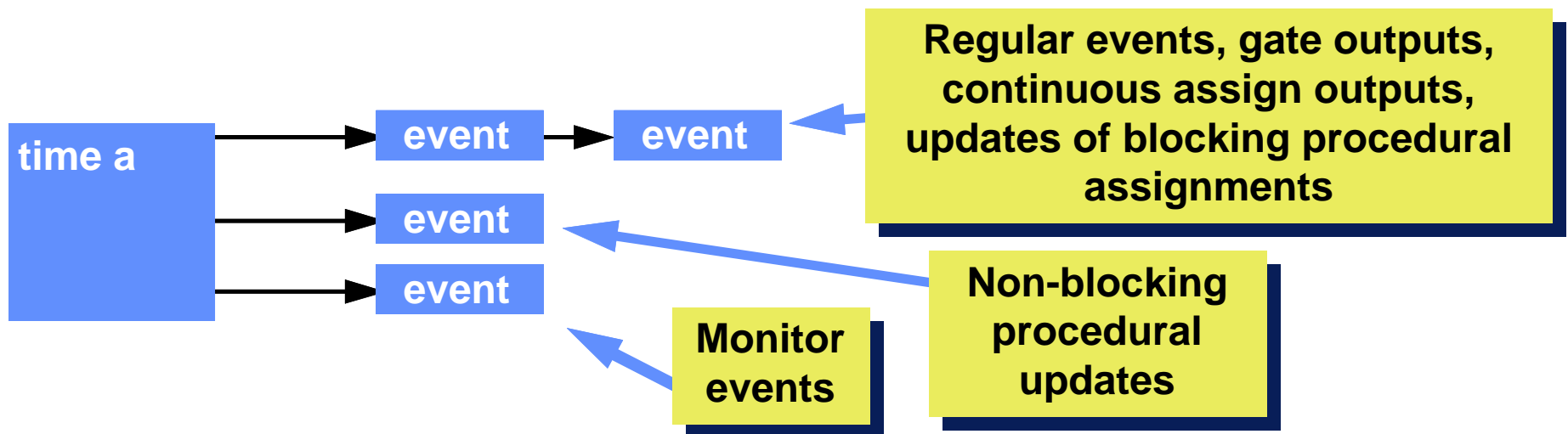
- Three lists per time



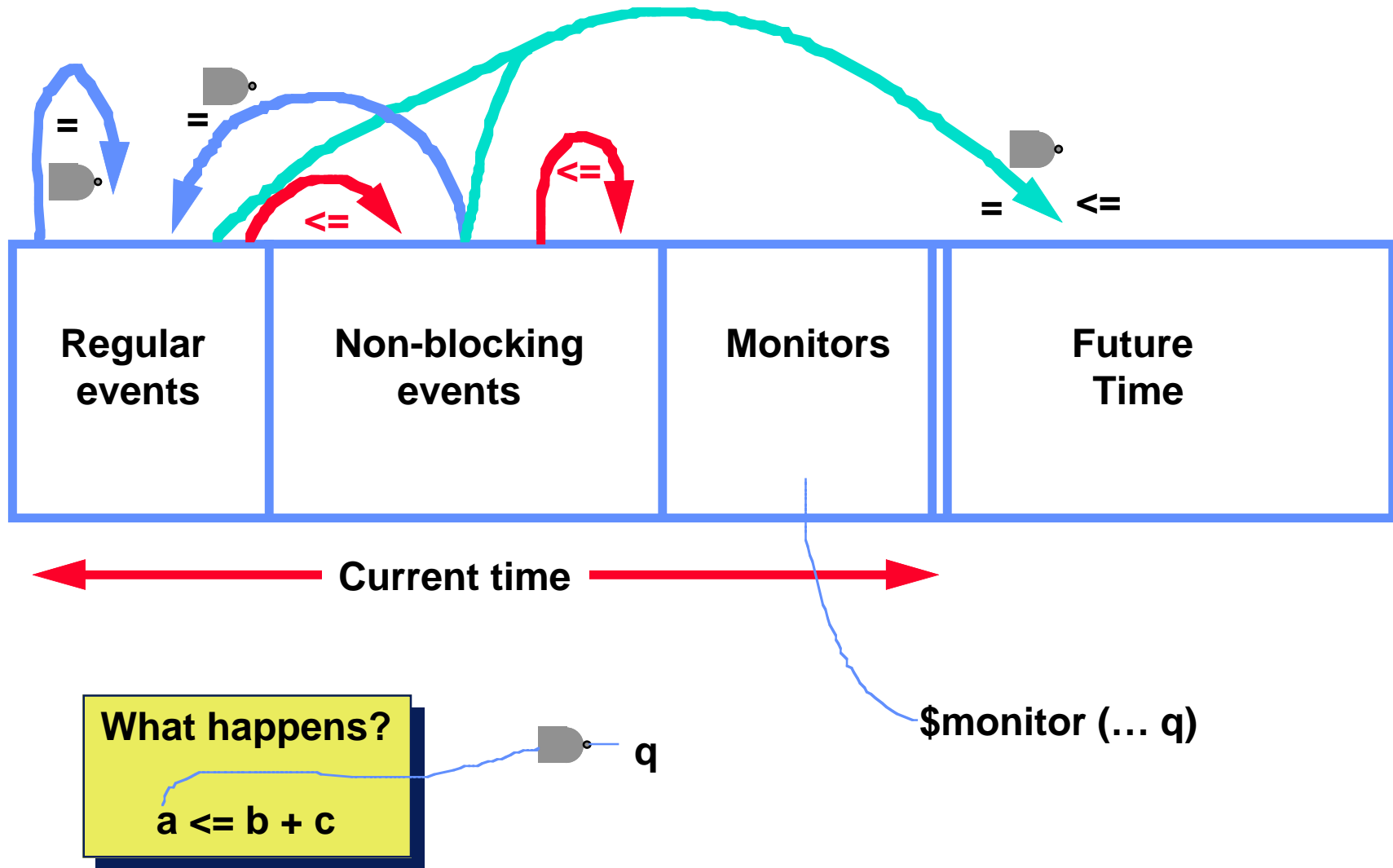
What gets scheduled when/where

Now

- While there are **regular** events:
 - “retrieve all regular events for current time and execute in arb. order”
 - Note: These may produce more regular events for current time
- Retrieve all **non-blocking** events for the current time and execute
 - these may produce more regular events for current time, if so
- When no more events, do **monitor** events. No new events produced



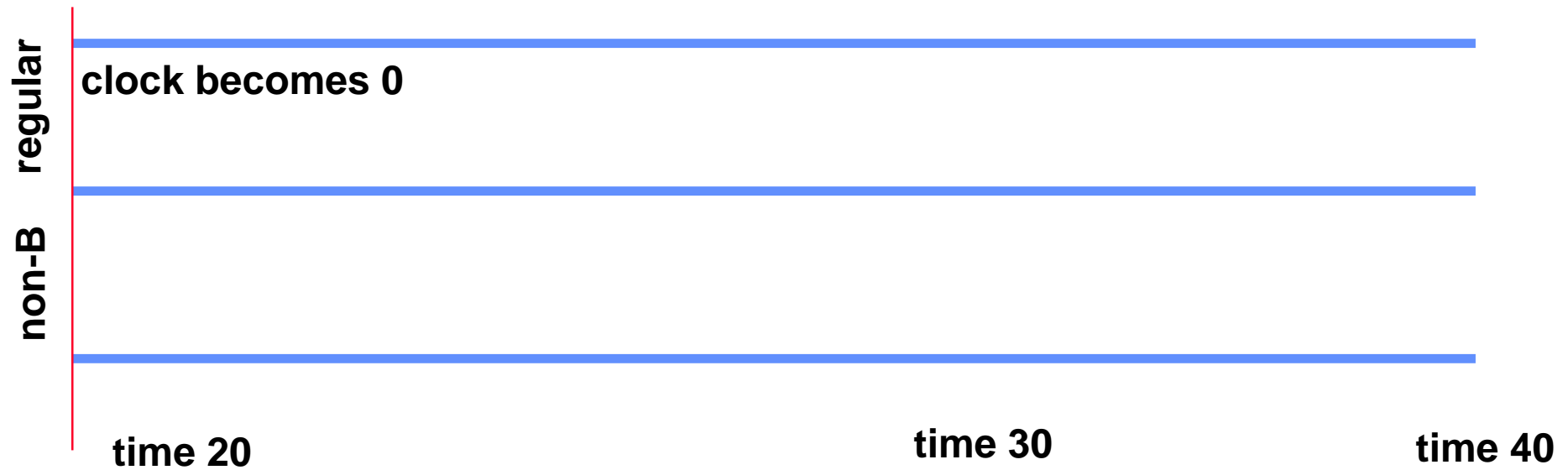
A picture of the event list



Follow the Execution

```
module fsm (Q1, Q0, in, clock);  
  output  Q1, Q0;  
  input   clock, in;  
  reg     Q1, Q0;  
  
  always @(posedge clock) begin  
    Q1 <= in & Q0;  
    Q0 <= in | Q1;  
  end  
endmodule
```

always #10 clock = ~clock;



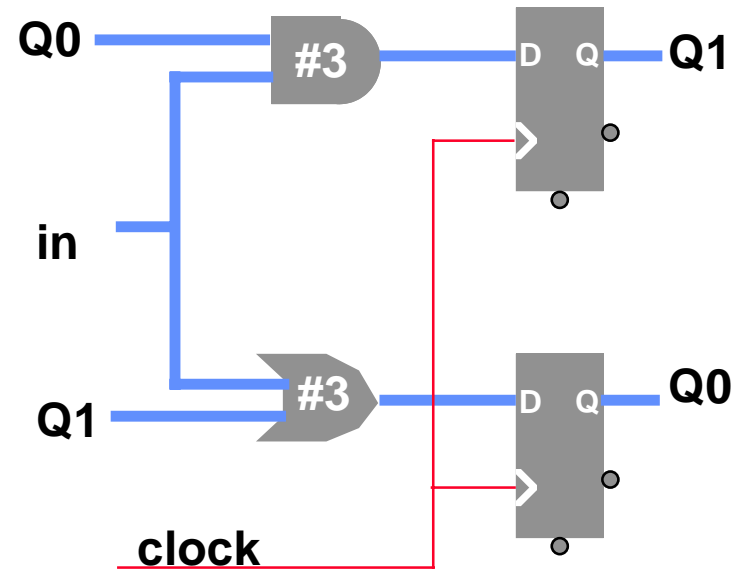
Follow the Execution

```

module dff (Q, D, clock);
  output    Q;
  input     clock, D;
  reg      Q;

  always @(posedge clock)
    Q <= D;
  always #10 clock = ~clock;
endmodule

```



More Scheduling

previous values:

A = 1

B = 0

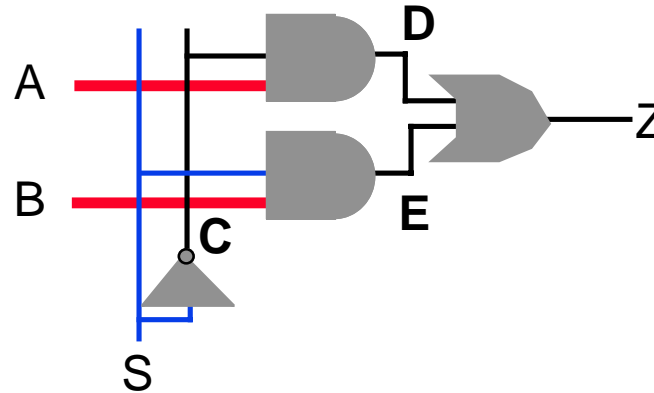
S = 0

new values at
time 10:

A = 0

B = 1

S = 1



regular

U: A=0

B=1

S=1

non-B

10

More Scheduling

previous values: x

and (c, a, b);

always begin

a = 0;

#0 q = 1;

...

#10 ...

initial

b = 1;

regular
non-B

0

Other strange things you can do

■ A 4-stage pipelined multiplier

- every clock edge, the a and b inputs are read and their product is scheduled to appear three clock periods later

```
module pipeMult (product, a, b, ck);  
    input          ck;  
    input  [9:0]  a, b;  
    output [19:0] product;  
    reg   [19:0] product;  
  
    always  
        @(posedge ck)  
            product <= repeat (3) @(posedge ck) a * b;  
endmodule
```

Some ugly ramifications

■ You need to be careful when mixing blocking and non-blocking assignments

- **blocking** — you can read it like regular C language assignments. The value of the variable on the left-hand side can be used in the next statement on the right-hand side
- **non-blocking** — the assignment is scheduled to appear at a later time. The value on the left-hand side is not available in the next statement.

```
a = 3
b = 4
a <= 3 + 4
c = a
```

The Verilog Police say:
“careful on how you mix
these!”

What value is assigned to c? who cares

- **General rule:** for “state” use “<=”. For intermediate values and combinational elements, use “=”

/// Closer Look at the Scheduler

```
while (there are events in the event list) {  
  if (there are no events for the current time  
      advance currentTime to the next event time  
  if (there are no regular events for the current time)  
    if (there are non-blocking assignment update events)  
      turn these into regular events for the current time  
    else  
      if (there are any monitor events)  
        turn these into regular events for the current time  
  Unschedule (remove) all the regular events scheduled for currentTime  
  For each of these events, in arbitrary order {  
    if (this is an update event) {  
      Update the value specified  
      Evaluate gates on the fanout of this value and Schedule update  
      events for gate outputs that change  
      Schedule evaluation events for behaviors waiting for this value  
    }  
    else { // it's an evaluation event  
      Evaluate the model  
      Schedule any update events resulting from the evaluation  
    }  
  }  
}
```

Advance time

Do blocking,
non-blocking,
then monitors

Mostly
Update and
gate evals

Mostly
Procedural
evals

Gate-Level Modeling

■ Need to model the gate's:

- function
- delay

■ Function

- Generally, HDLs have built-in gate-level primitives
 - Verilog has NAND, NOR, AND, OR, XOR, XNOR, BUF, NOT, and some others
- The gates operate on input values producing an output value
 - typical Verilog gate instantiation is:

optional

“many”

and #delay name (out, in1, in2, in3, ...)

- multi-level logic used in some models to represent:
 - values, edges, unknowns, high impedances, ...

Logic Values

Verilog Logic Values

- 1, 0, x (unknown), z (high impedance)
- x — one of: 1, 0, z, or in the state of change
- z — the high impedance output of a tri-state gate. Generally treated as an x on an input.

Off-the-wall, but important, values (a partial list)

- rising edge — posedge
 - 0->x; x->1; 0->1
- falling edge — negedge
 - 1->x; x->0; 1->0
- switch-transistor values
 - strong 1; weak 1; ...

Logic with multi-level logic values

- note: z treated as an x on input
- some languages allow you to define a function based on multi-level logic values (Verilog does)

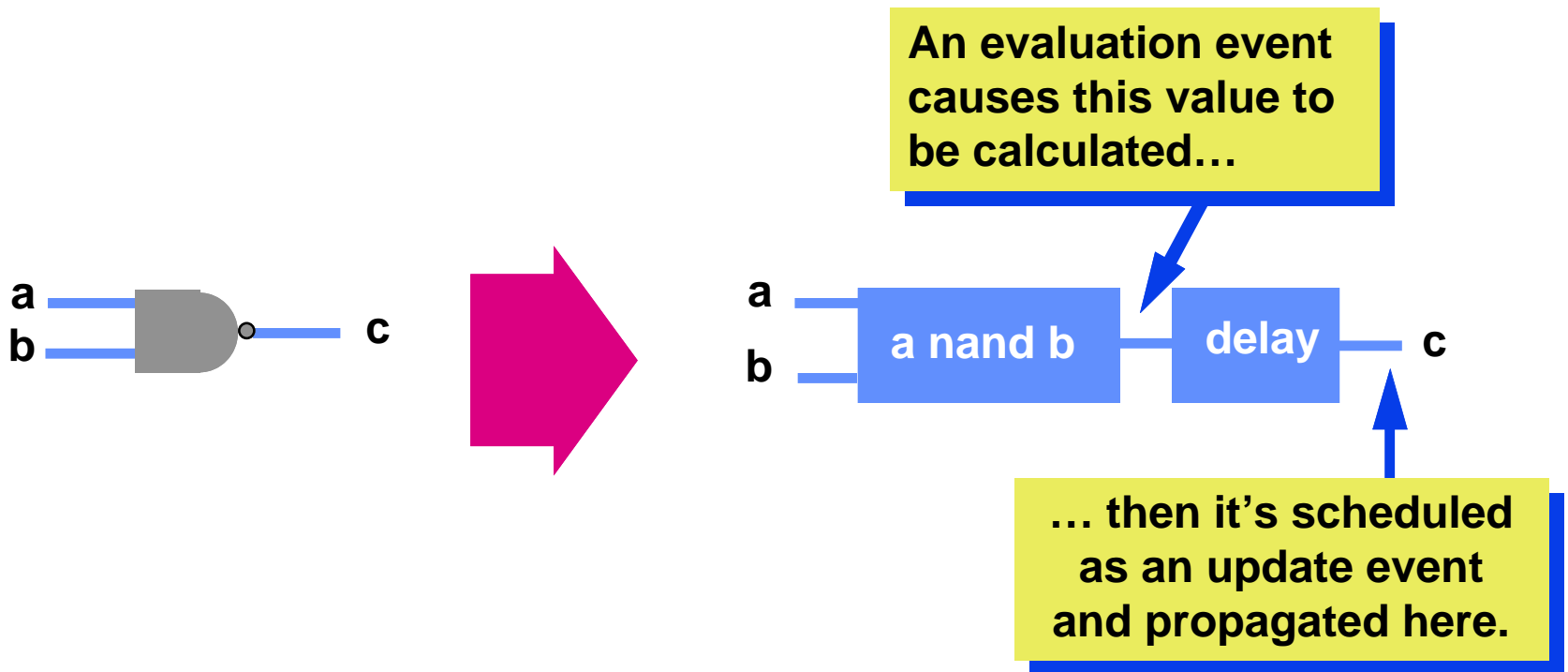
Nand	0	1	x	z
0	1	1	1	1
1	1	0	x	x
x	1	x	x	x
z	1	x	x	x

Delay Models

Delay models for gates: views and definitions

- Basic view: the function and delay are separate

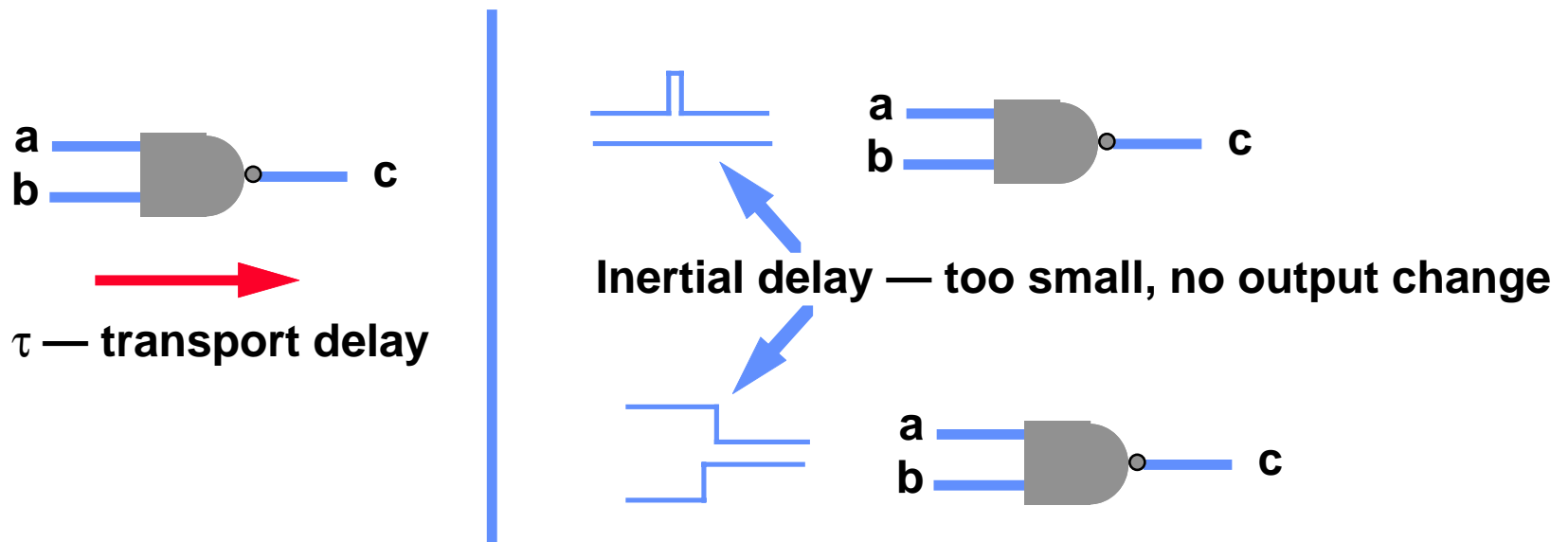
- The function is handled by model execution, the delay by the simulator scheduler



Kinds of delays

Definitions

- **Zero delay** models — functional testing
 - there's no delay, not cool for circuits with feedback!
- **Unit delay** models — all gates have delay 1. OK for feedback
- **Transport** delay — input to output delay
- **Inertial** delay — how long must an input spike be to be seen?
 - in Verilog, inertial == transport

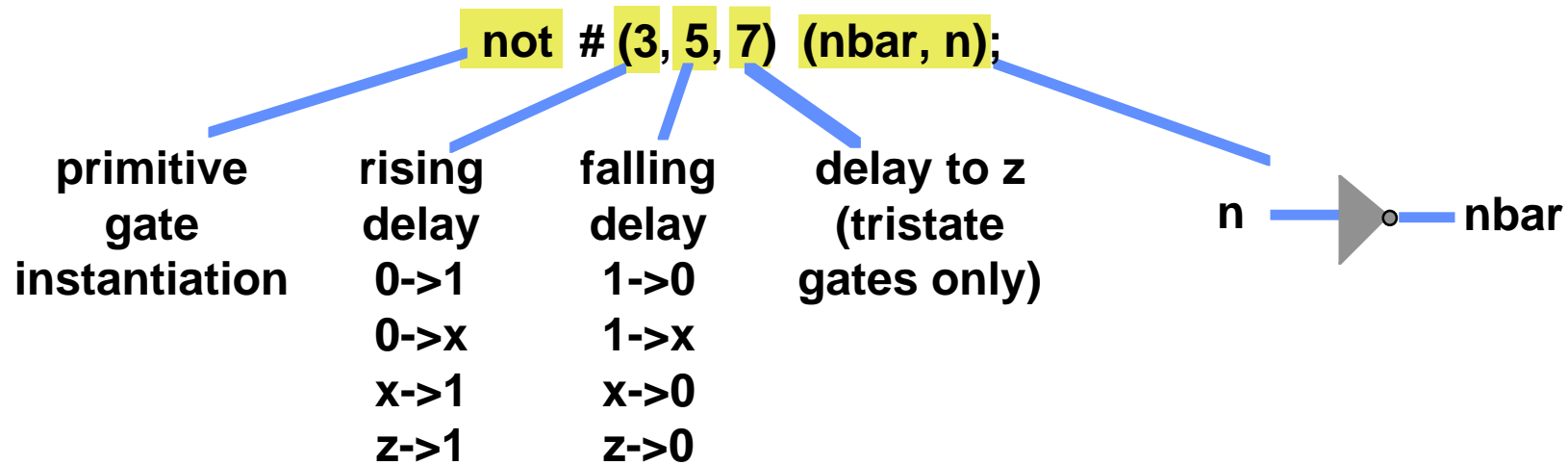
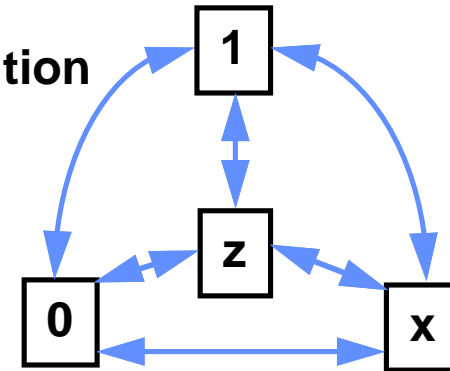


Delay Models

Other factors

- Delay can be a function of output transition
- Need a number for each of the arrowheads

Verilog example



Delay Models

■ Unknown Delays — different simulators do different things

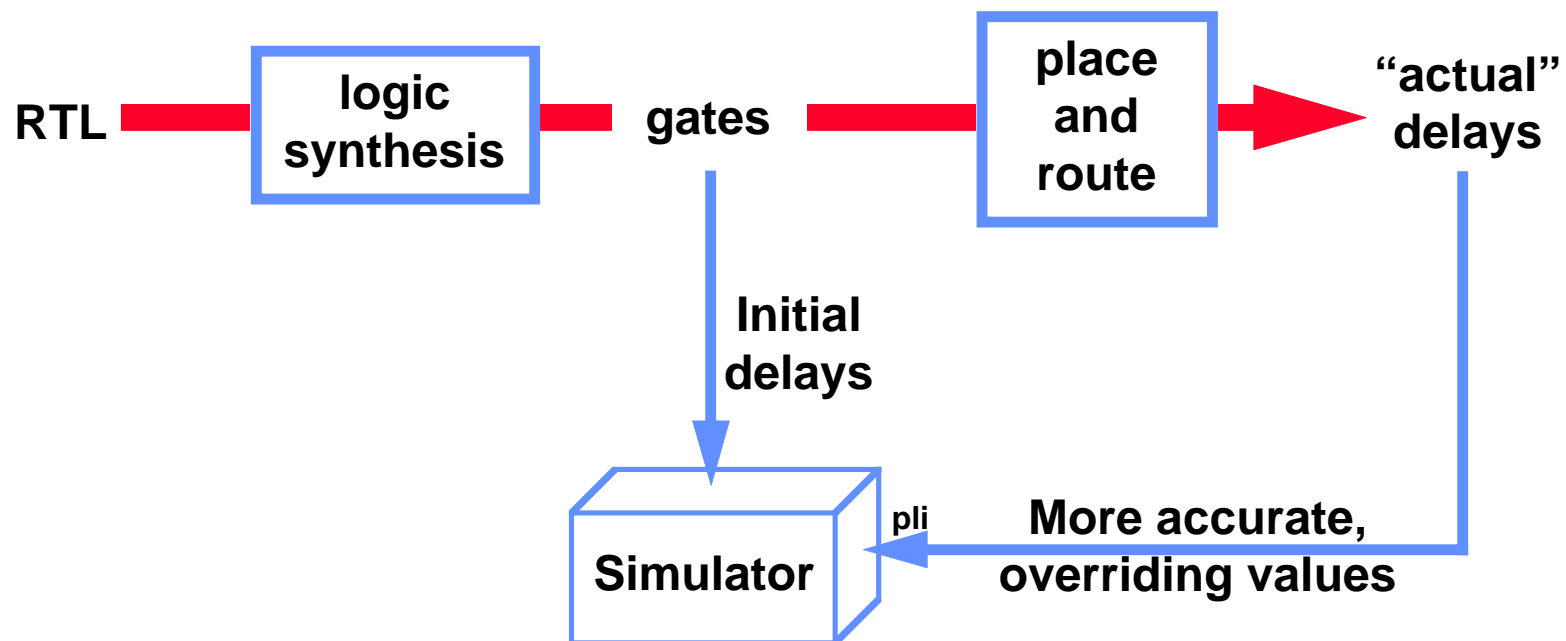
- **d = randomize (min, max, distribution)**
 - delay is determined per gate at simulator startup time, same time used for gate throughout
 - this might model TTL chips, but not gates on an IC
 - Why?
- **d = (min, typical, max)**
 - delay to use is determined by simulator command at simulator startup time (i.e. one is selected)
 - for Verilog, each of the three timing values can be replaced by a triple (min:typ:max)

not # (2:3:4, 4:5:6, 7:8:9) (nbar, n)

Overridden Delays

Delays Overridden

- Use “actual” delays to override specified model delays
- Most importantly, delay due to loading and path lengths is made more accurate
 - generally, this adds to the wire delay accuracy



Delays on Wires

■ How do you drive wires?

- gate outputs can drive wires
 - gate outputs implicitly define wires
- wires can also be defined — with or without delay

```
wire <size> <delay> name;
```

```
wire #5      LM;
```

```
and #6      a (LM, L, M);
```

```
not         b (MA, MB, LM);
```

- The delay on a wire is added to any delay in the gate(s) that drive the wire



Gate b sees an input change 11 time units after a change on L or M

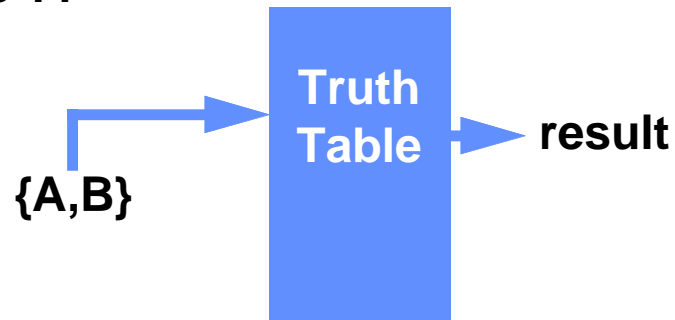
Model Evaluation

Gate evaluation

- the design is made up of primitive gates and behaviors
- we're only considering primitive gates now

Approach #1

- Performing (A nand B nand ...) is slow
 - especially in multi-valued logic
- Use table lookup — takes up memory, but it's fast
 - Encode 0 as 00, 1 as 01, x as 10, z as 11



Truth Table for Nand

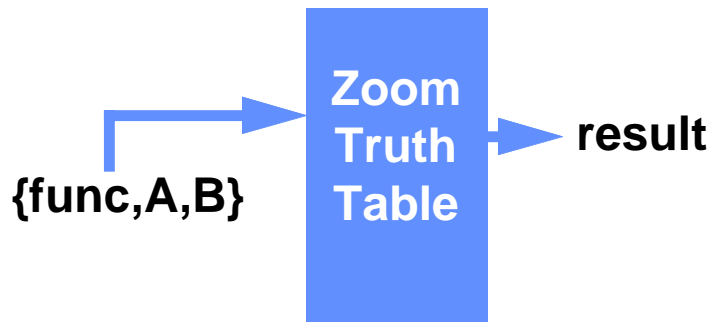
0000	01
0001	01
0010	01
0011	01
0100	01
0101	00
0110	10
0111	10
1000	01
1001	10
1010	10
1011	10
1100	01
1101	10
1110	10
1111	10

A B Output

Model Evaluation

■ Oh that was fun, let's do more of it

- Variation on table lookup — “Zoom table”
 - the table includes all primitive functions as well as variables
- Essentially this is the “programming pearl” that says:
 - If it takes too much time to calculate something, precalculate it, store the results in a table, and look up the answer



Truth Table
for Nand and
And

0_0000	01
0_0001	01
0_0010	01
0_0011	01
0_0100	01
0_0101	00
0_0110	10
0_0111	10
0_1000	01
0_1001	10
0_1010	10
0_1011	10
0_1100	01
0_1101	10
0_1110	10
0_1111	10
1_0000	00
1_0001	00
1_0010	00
1_0011	00
1_0100	00
1_0101	01
1_0110	10
1_0111	10
1_1000	00
1_1001	10
1_1010	10
1_1011	10
1_1100	00
1_1101	10
1_1110	10
1_1111	10

Blue arrows on the right side of the table group the rows into two sections: the top 16 rows are labeled "Nand" and the bottom 16 rows are labeled "And".

Model Evaluation

■ Approach #2 — Input counting method

- input width independent (as compared to Zoom tables)
- represents functions by controlling and inversion values

- output is $c \oplus i$

- Evaluation function:

```
x_val = FALSE
for every input v of G {
  if (v == c) return (c  $\oplus$  i)
  if (v == x) x_val = TRUE
}
if (x_val) return x
return (c'  $\oplus$  i)
```

If any input is controlling, you know the output

- requires scanning of the inputs

Simulation: Model Evaluation

■ Approach #3: Input counting

- An update event keeps count of various features
 - when 1 -> 0 on AND gate, increment `c_count`
 - (the number of controlling inputs)
 - when 0 -> x on AND gate, decrement `c_count`, increment `x_count`

- an evaluation event becomes

```
if (c_count > 0) return c ⊕ i
if (x_count > 0) return x
return c' ⊕ i
```
- Can you make this work with XORs?

Behavioral Models

■ Interpreted

- Compile to an intermediate representation
- To execute, interpret it — slow

■ Code Generation

- Compile behavioral Verilog directly to assembly code — treat it as a programming language
- Long compile times, but fast execution
 - Still slower than regular C — why?
- Not limited to behavioral models

- Who said computer engineers don't need to know how a compiler works!

Tying behavior and gate models together

Real designs mix behavior and gate models

```
module putTogether ();  
  wire [ ]      w1, w2, w3, w4;  
  
  beh    inst1  (w1, w2, w3, w4);  
  str    duh    (w3, w2, w1);  
endmodule
```

```
module beh (i1, i2, o1, clk);  
  input [ ] i1, i2, clk;  
  output [ ] o1;  
  reg [ ] a, b, o1;  
  
  always  
  begin  
    @ (posedge clk);  
    a = b + i1;  
    o1 = a + i2;  
  end  
  ...
```

```
module str (in1, out1, out2);  
  input [ ] in1;  
  output [ ] out1, out2;  
  
  assign #10 out1 = in1 | a;  
  
  nand #(2, 5) (out2, in1, b);  
  nand #(6, 3) (xxx, in1, b);  
  ...
```

Tying behavior and gate models together

An alternate version

- modules may contain mixture of behavior and gate models

```
module behstr (clk);  
  reg    [] a, b, o1in1;  
  input  clk;  
  
  wire  [] #10 out1i2 = o1in1 | a;  
  
  nand  #(2, 5) (out2in1[0], o1in1[0], b[0]);  
  nand  #(2, 5) (out2in1[1], o1in1[1], b[1]);  
  
  always  
  begin  
    @ (posedge clk);  
    a = b + out2in1;  
    o1in1 = a + out1i2;  
  ...  
end
```

note that the assign turned into a wire declaration with an assign.

changes will be propagated to *a* and *o1in1* after the behavioral model stops again at the “@”

Names of things

■ Thus far, we've seen names of...

- registers, variables, inputs, outputs, instances, integers
- Their scope is the begin-end block within which they were defined
 - module — endmodule
 - task — endtask
 - function — endfunction
 - begin:name — end
- ... nothing else within that scope may already have that name

■ Types of references

- **Forward referenced** — Identifiers for modules, tasks, functions, and named begin-end blocks may be used before being defined
- **Not Forward referenced** — must be defined before use
 - wires and registers
- **Hierarchical references** — named through the instantiation hierarchy
 - “a.b” references identifier *b* in namespace *a*
 - forward referenced

Identifiers

■ Forward referenced

- Identifiers of modules, tasks, functions, named-blocks
- Hierarchical search tree defined by module instantiation
 - Identifiers within each higher scope are known
- After all instantiations are known, search upward for the first identifier
 - a.b.c.d
 - When found go down through the rest of the name

■ Non-Forward referenced

- Identifiers for registers and wires (non-hierarchical)
- Hierarchical search tree defined by nested procedural blocks
 - rooted in module
 - Search doesn't cross module instantiation boundaries

■ Hierarchical — registers and wires

- These are forward referenced — see above

Scope of functions and tasks

■ Where defined

- functions and tasks are defined within modules

■ Scope

- As with other names, the scope of the functions and tasks is the begin-end block (module-endmodule) within which they are defined
- They can also be accessed hierarchically
 - define “global” functions and tasks in the “top” module
 - they’ll be accessible from any (recursively) instantiated module.

A few examples

```
module a (...);  
  reg e;  
  task b;  
    reg c;  
    begin : d  
      reg e;  
      e = 1;  
      a.e = 0;  
    end  
  endtask  
  always  
    begin : f  
      reg g;  
      a.b.d.e = 2;  
      g = q.a.b.d.e;  
      e = 3;  
    end  
endmodule
```

named begin-end block

e's hierarchical name is ...a.b.d.e

g's hierarchical name is ...a.f.g

assumes a is instantiated in q

Chapter 2.6