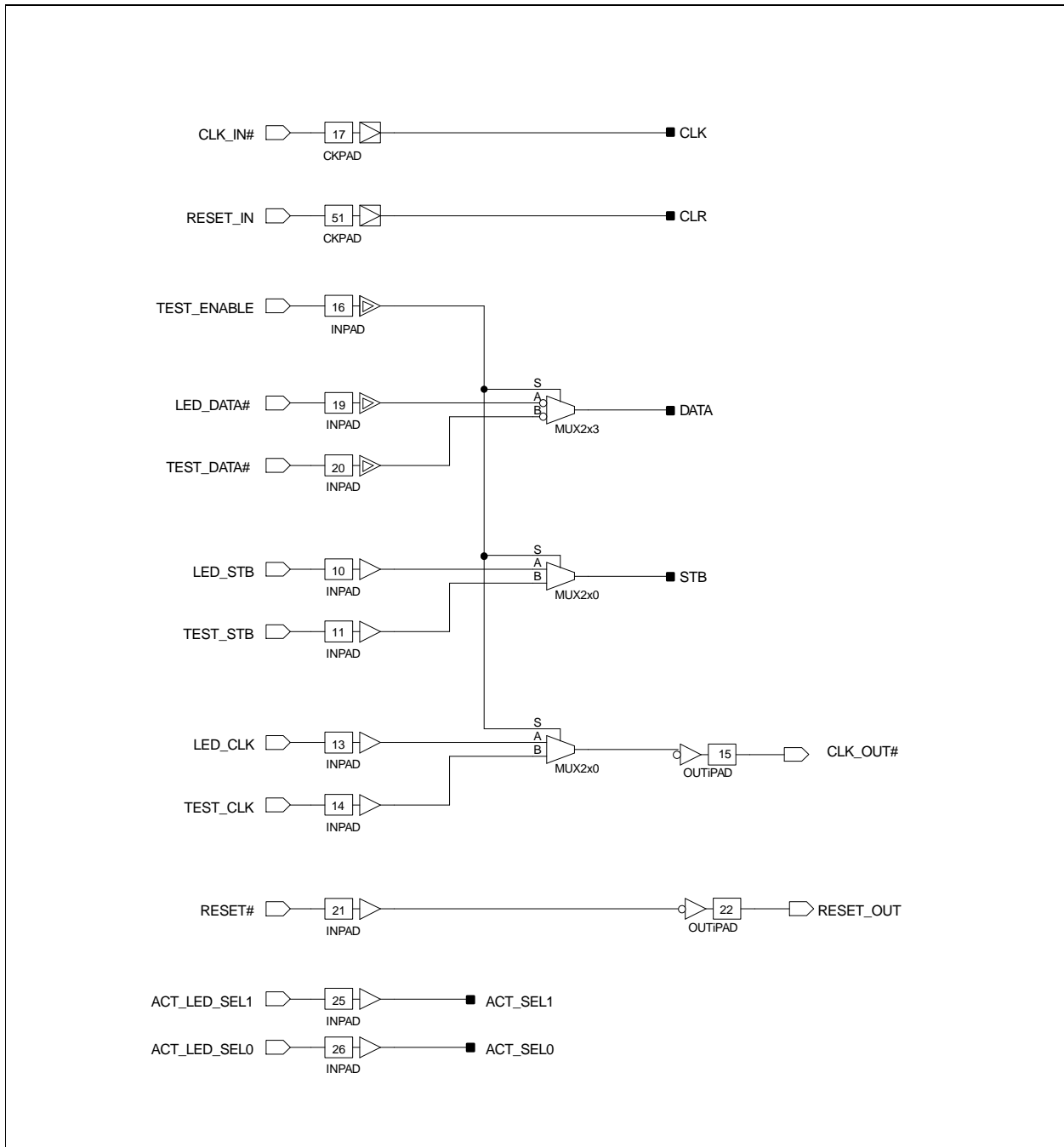
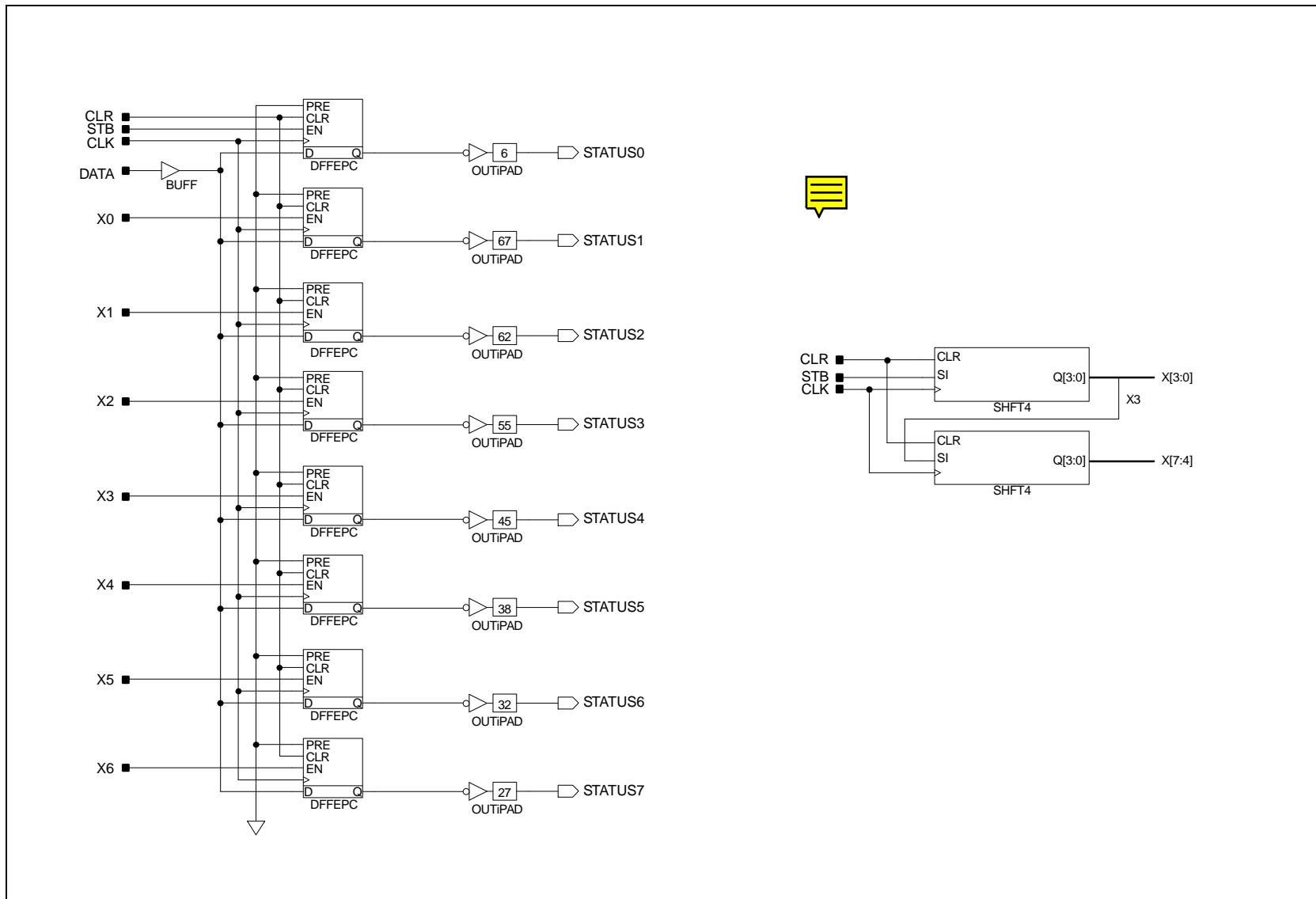


GT-48001 LED INTERFACE FPGA SCHEMATICS

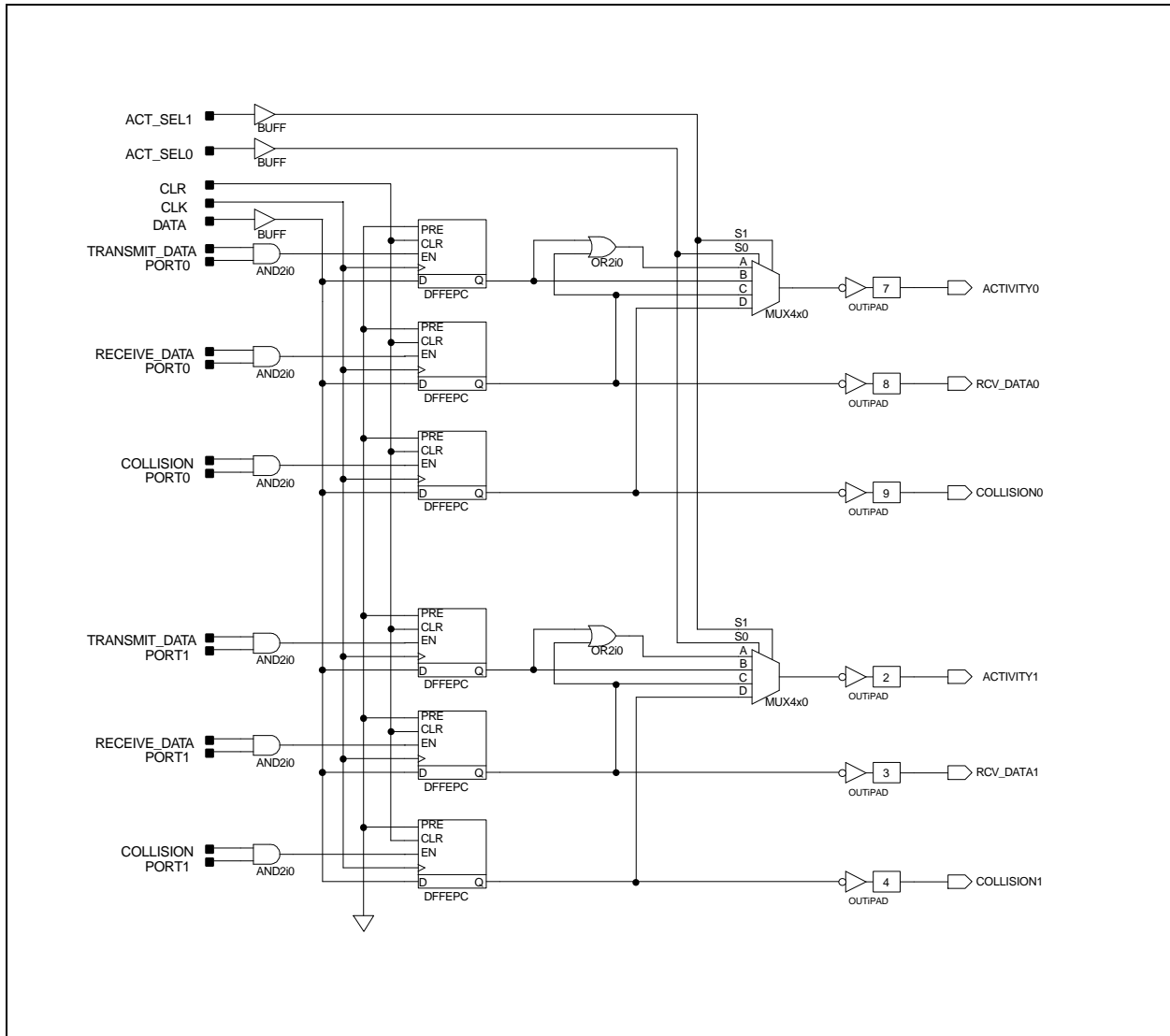




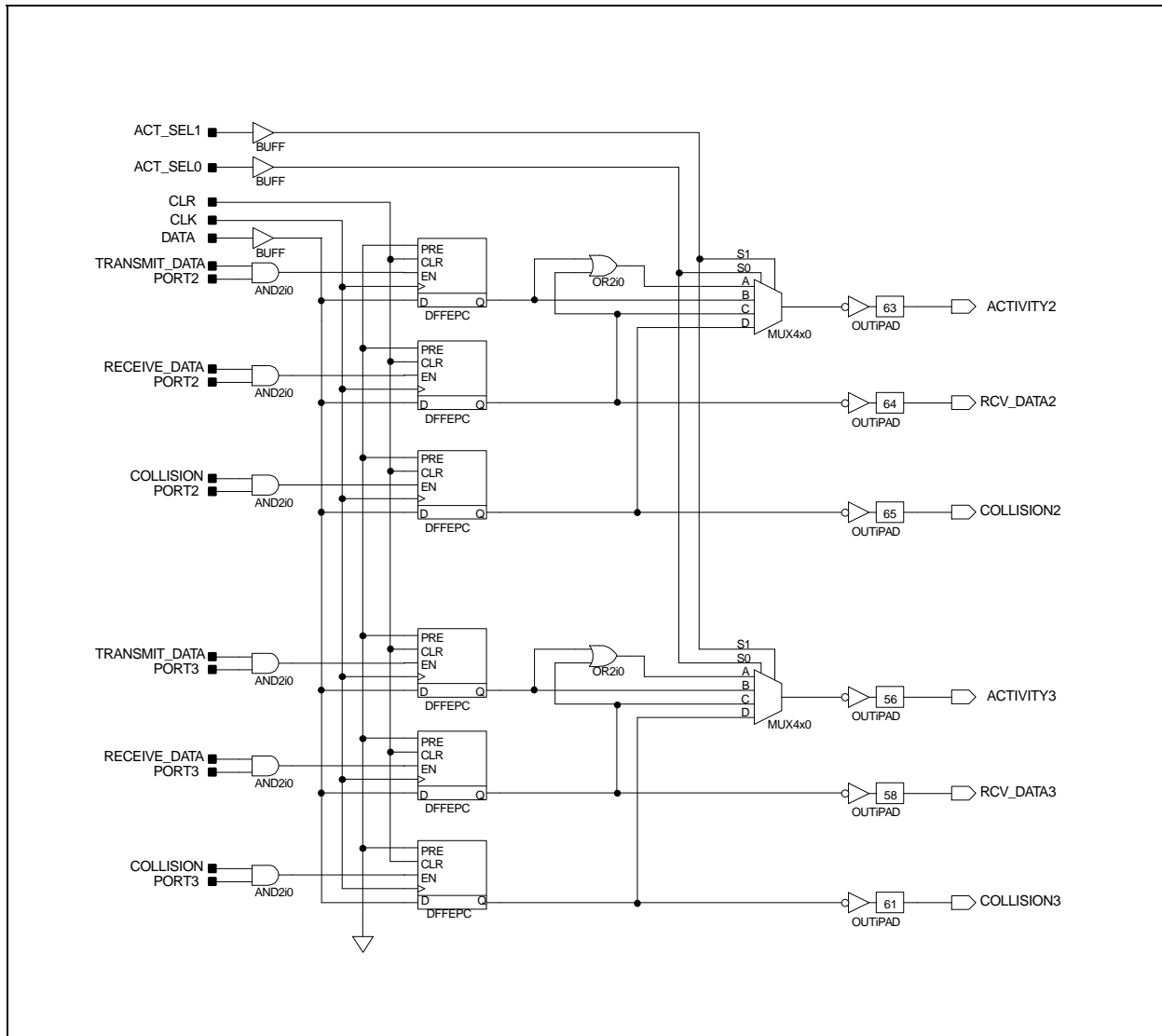
GT48001 LED Interface FPGA—Sheet 1



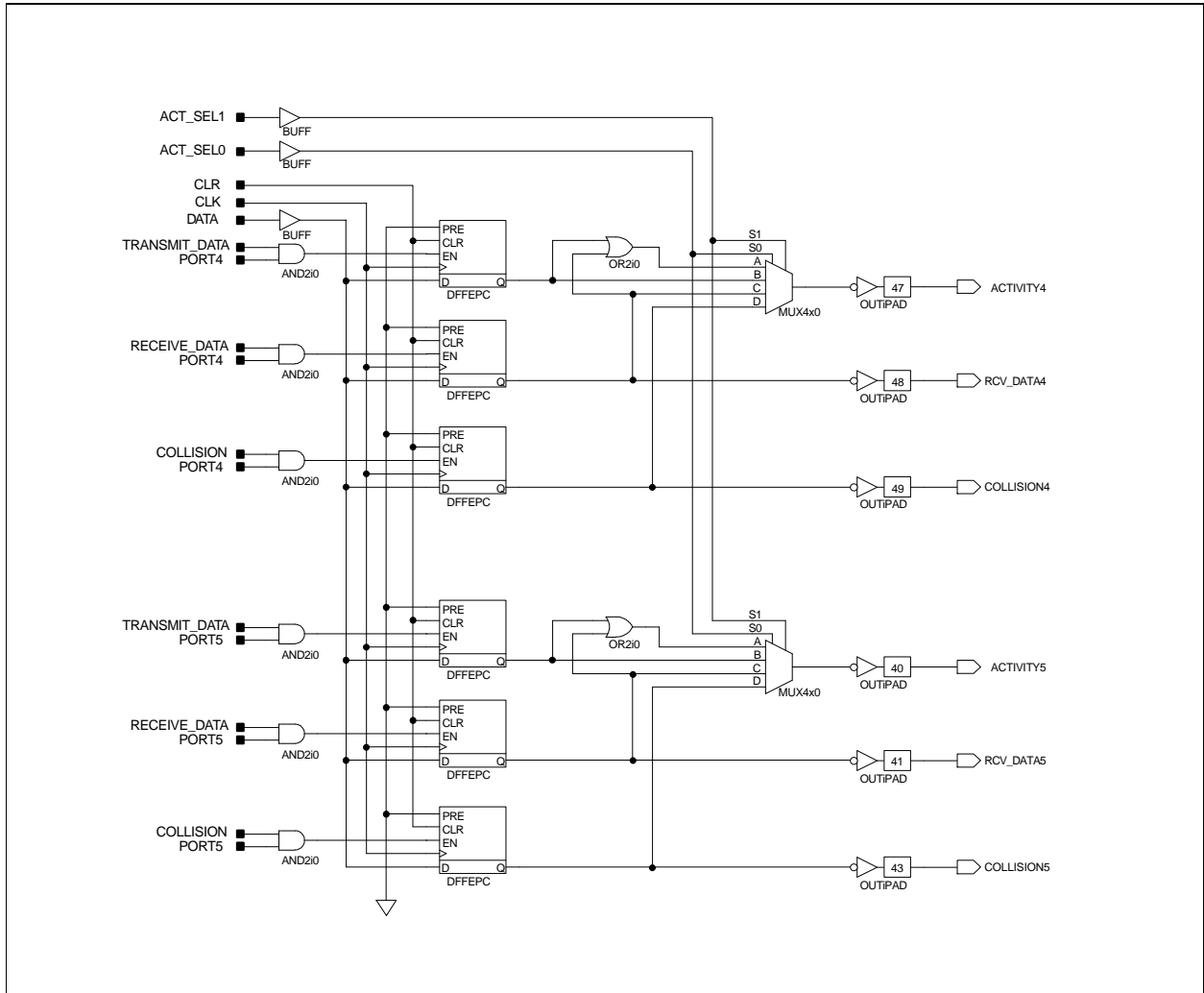
GT48001 LED Interface FPGA—Sheet 2



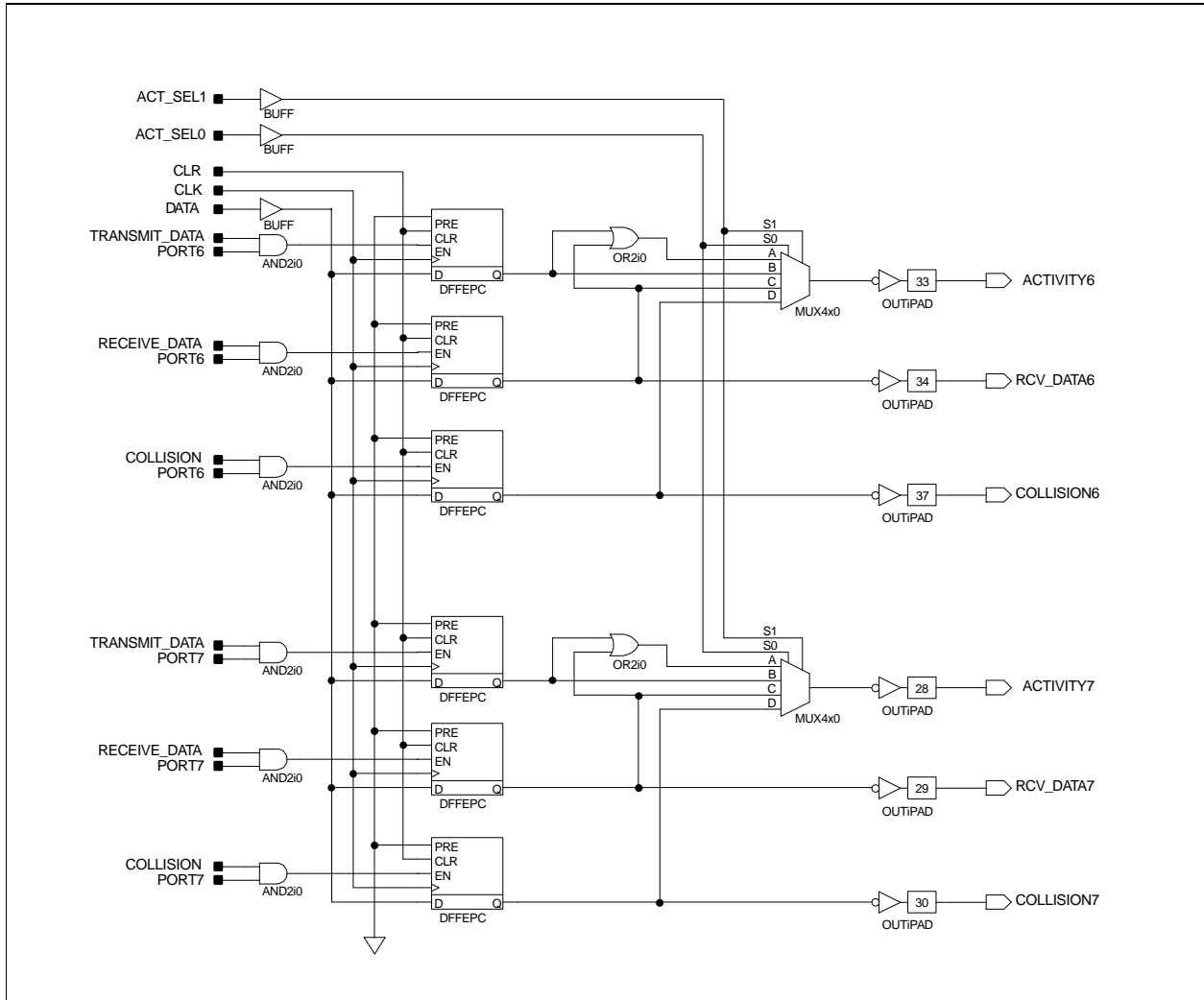
GT48001 LED Interface FPGA—Sheet 3



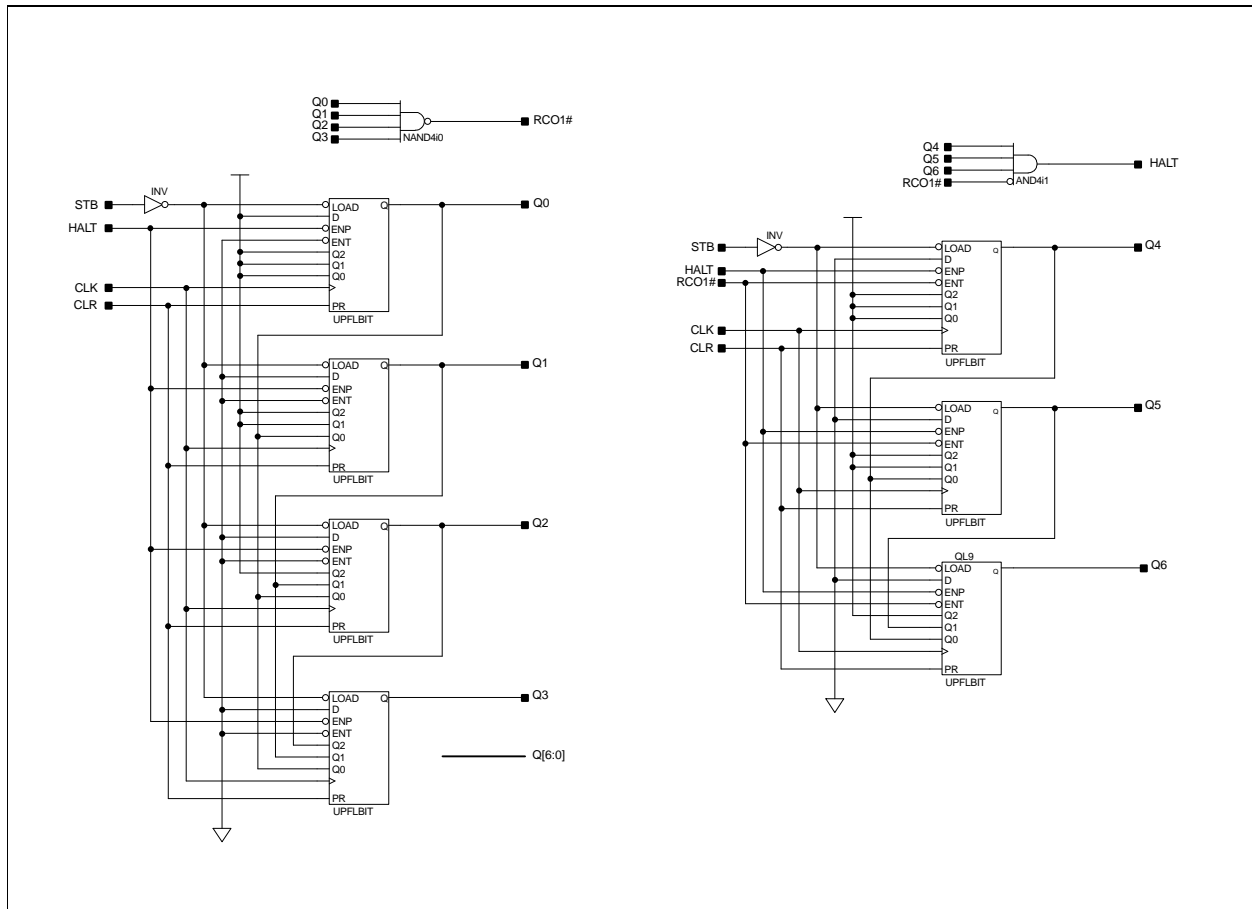
GT48001 LED Interface FPGA—Sheet 4



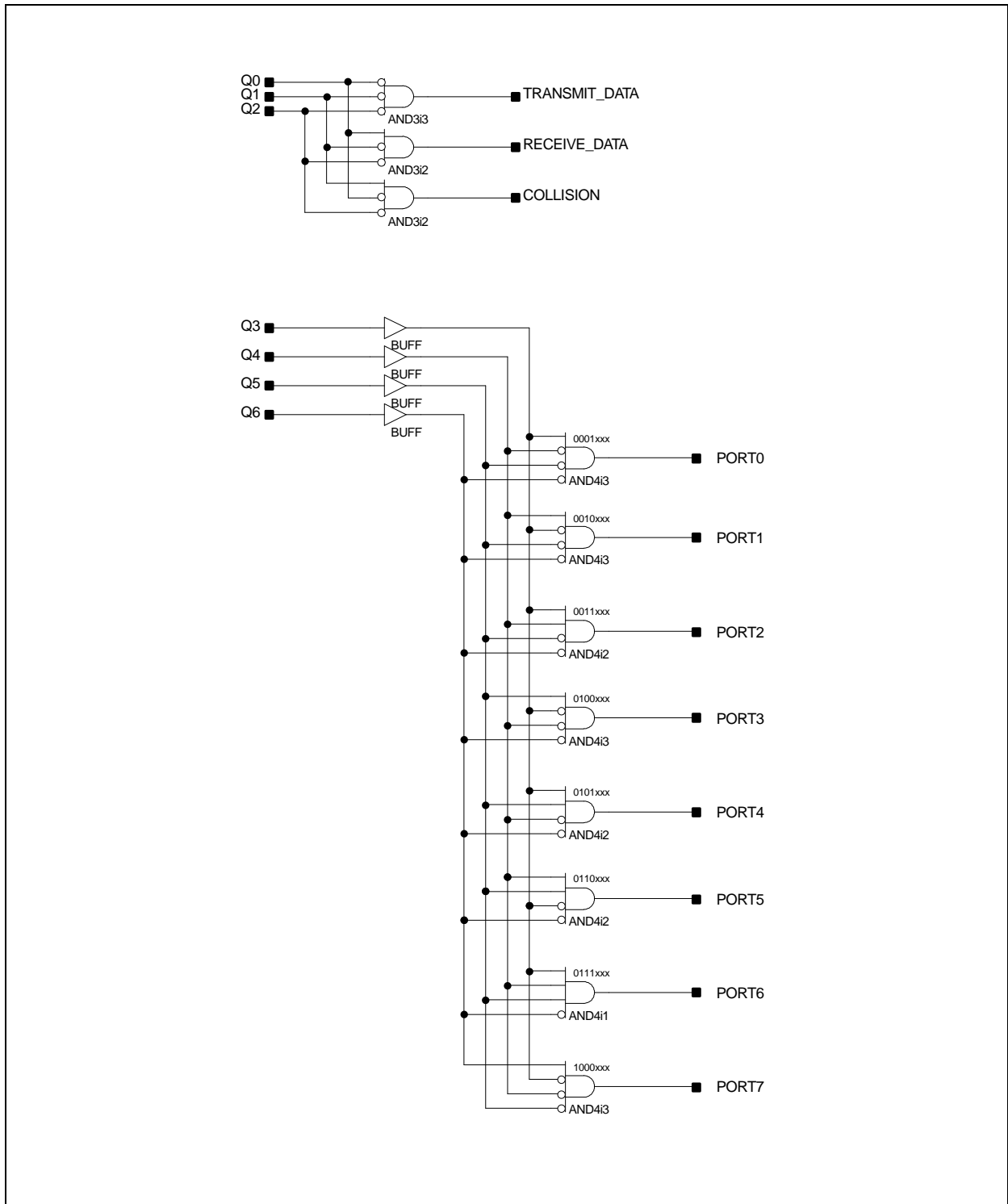
GT48001 LED Interface FPGA—Sheet 5



GT48001 LED Interface FPGA—Sheet 6



GT48001 LED Interface FPGA—Sheet 7



GT48001 LED Interface FPGA—Sheet 8