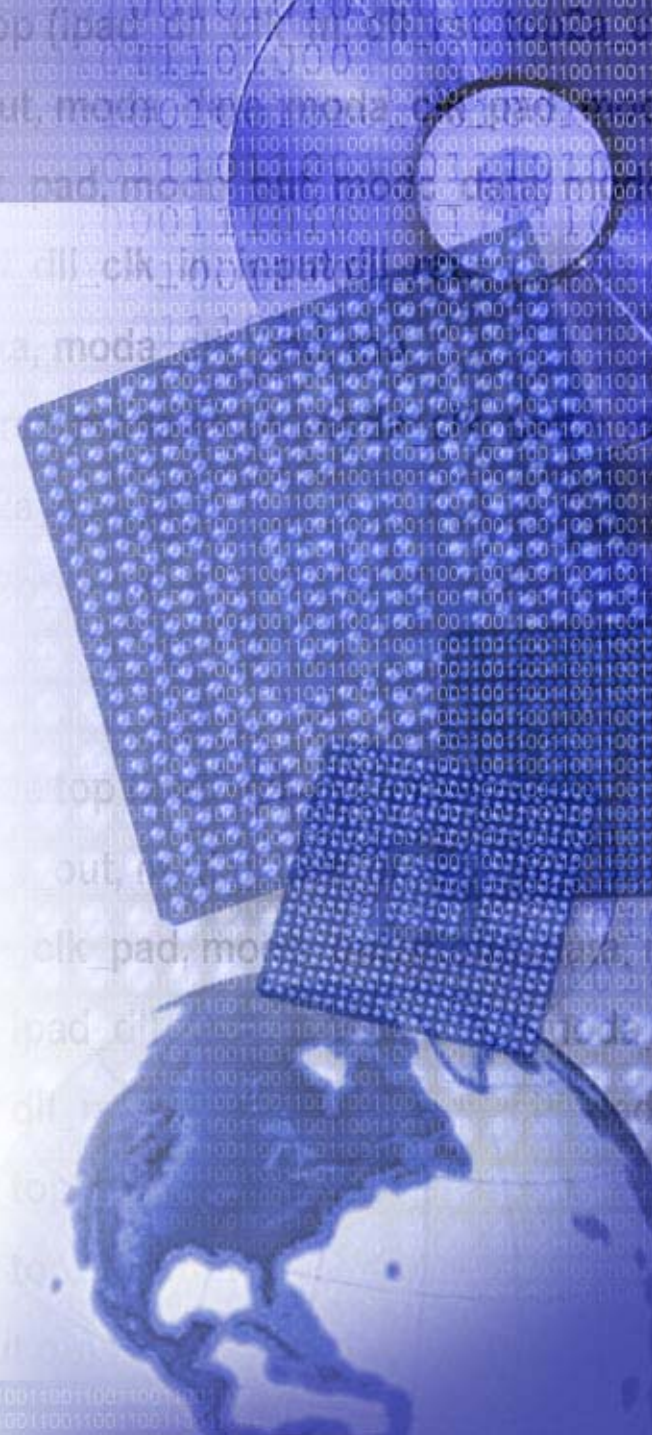
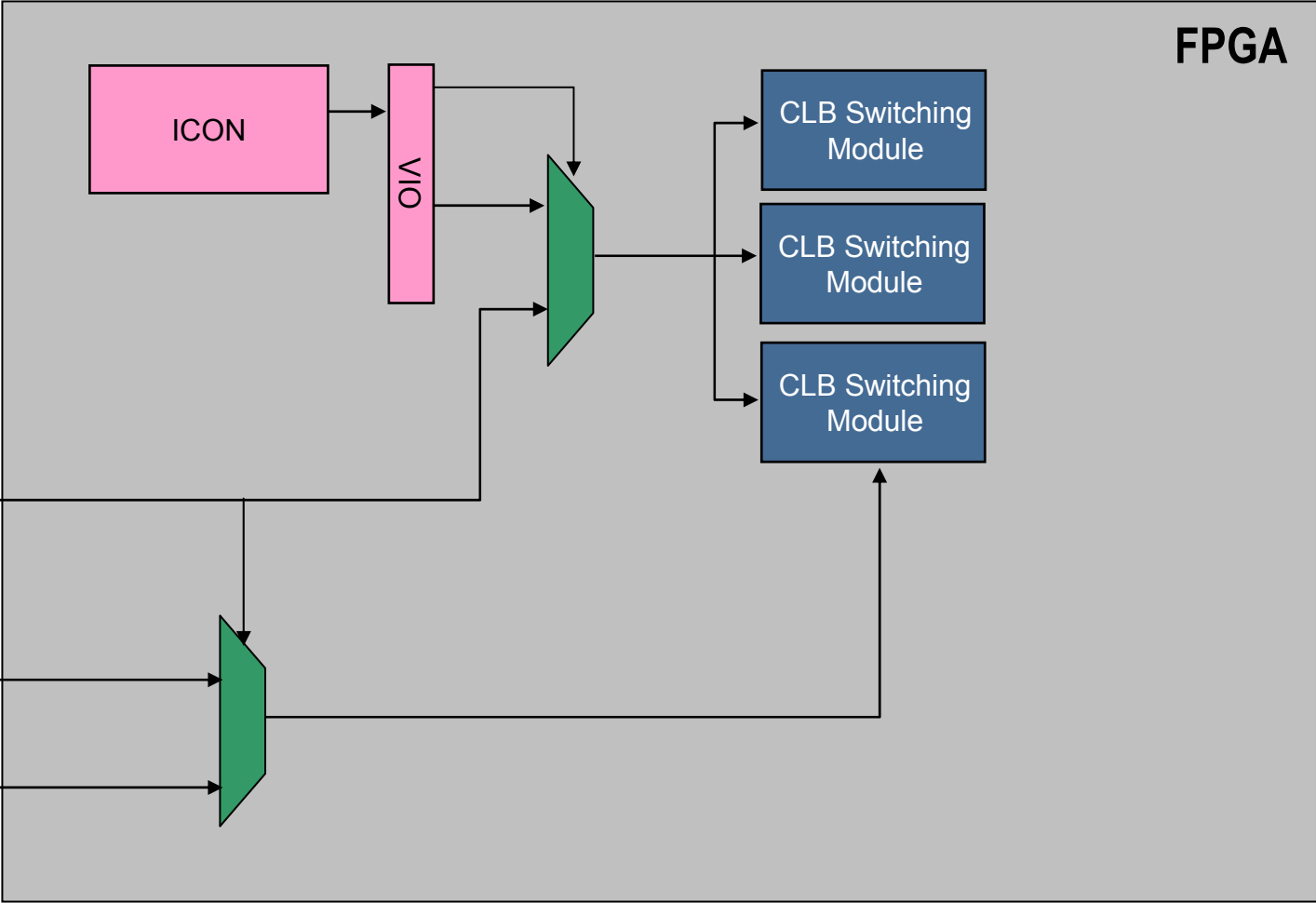




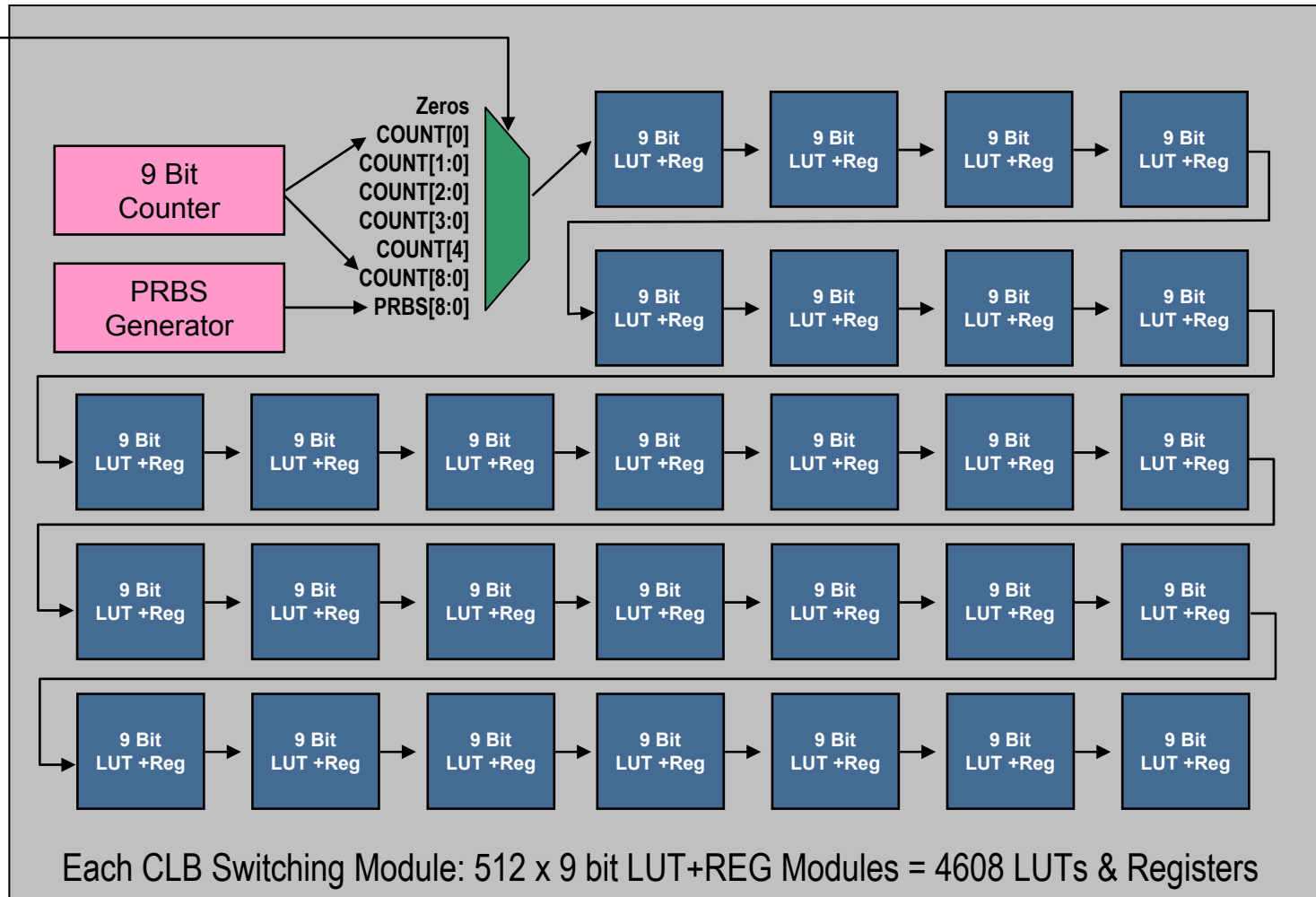
**Virtex-4 Consumes
50% Power of
Virtex-II Pro**



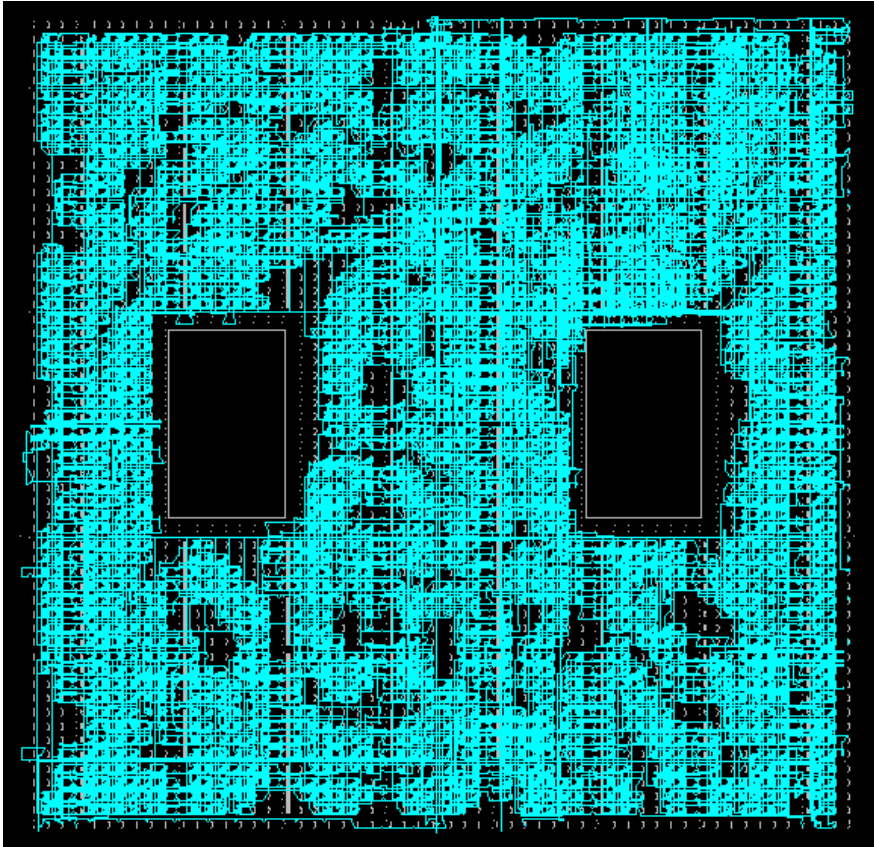
Design Used



CLB Switching Module

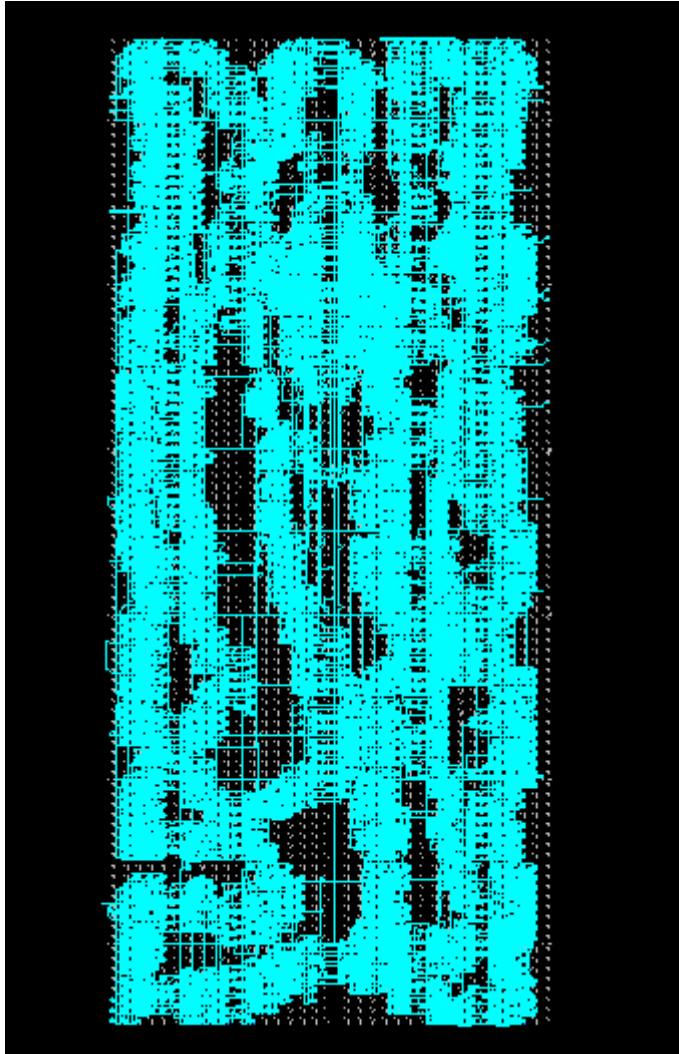


Virtex-II Pro Design



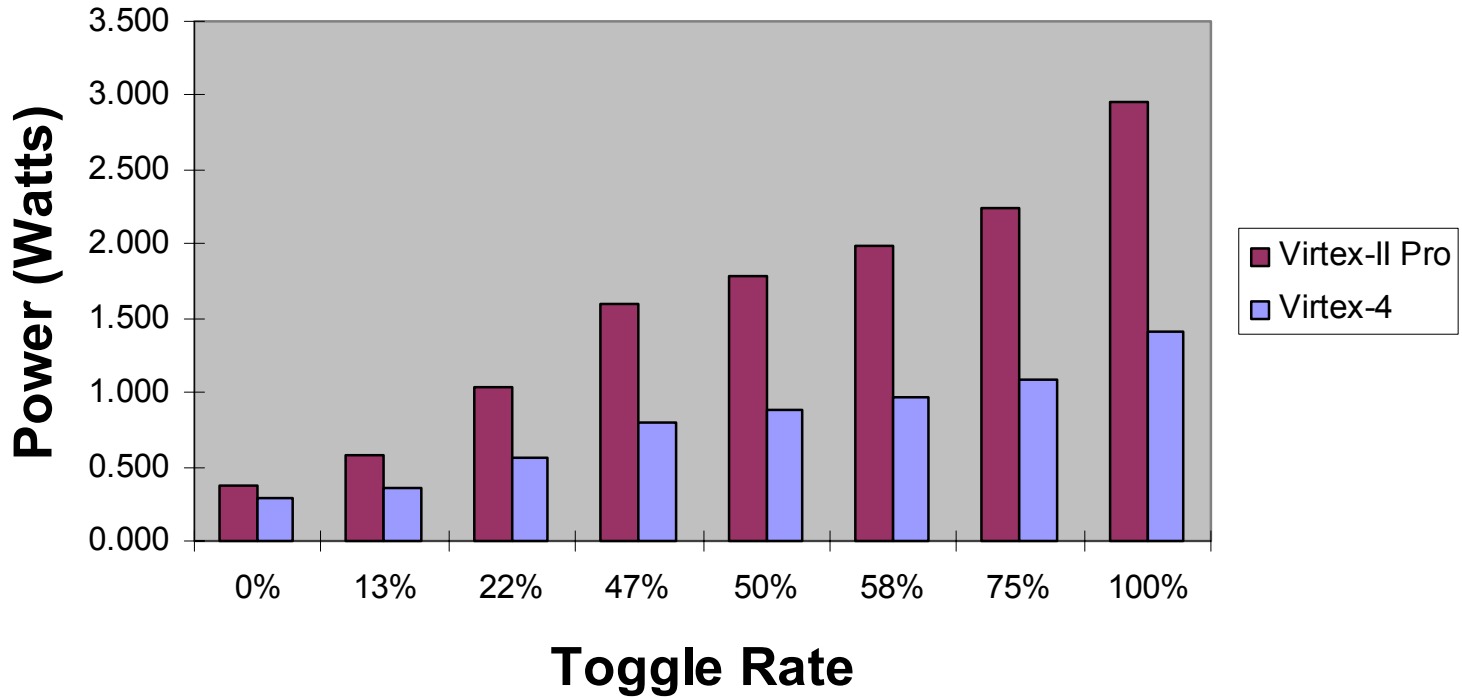
- XC2VP20-FF1152
 - 20,880 Logic Cells available
- Design Statistics
 - 83% Slice Utilization
 - 14,579 Registers
 - 14,373 LUTs
 - ChipScope Cores
 - ICON & Virtual IO (VIO)
 - 3 CLB Data Path Modules
 - Selectable Toggle Rates
 - 4608 LUT & Registers

Virtex-4 Design



- XC4VLX25-FF668
 - 24,192 Logic Cells available
- Design Statistics
 - 71% Slice Utilization
 - 14,579 Registers
 - 14,373 LUTs
 - ChipScope Cores
 - ICON & Virtual IO (VIO)
 - 3 CLB Data Path Modules
 - Selectable Toggle Rates
 - 4608 LUT & Registers

Virtex-4 vs Virtex-II Pro Power (100 MHz)



Summary

- Virtex-4 consumes 50% the power of Virtex-II Pro
 - Static power reduction enabled by industry's first triple-oxide technology
 - Dynamic power reduction enabled by reduced core voltage and capacitance
- Give your designs the Virtex-4 advantage now